

## Winlet 1000

### Dual Circuit Window & Glass Installation Robot

**Range:** Glass Vacuum Equipment / Glazing Robots / Winlet

Our range of glass handling equipment is available to customers across the UK, from our own strategically placed depots enabling us to offer a national coverage.



## Winlet 1000

The new Winlet 1000 combines superior lifting capacity and reach with a unique compact design with the ability to transport glass over rough terrain and through narrow doorways with ease. With the Winlet 1000 low weight, it makes it possible to go where heavier machines cannot due to surface pressure.



Vacuum Robots course



Intelligent load monitoring protects the operator and the load.



Multifunction control panel with integrated buttons and signal lights.



UK and Ireland  
Distributor

**1000kg** max lifting capacity

#### Technical Specifications

#### Winlet 1000

Max capacity	1000kg
Max capacity on side	300kg
Total weight excl. counterweights	1340kg
Total weight incl. counterweights	1800kg
External width	870mm
External width with twin wheels	1200mm
External length	2070mm
External height	1800mm
Min/max extension (front bumper to suction cup)	670/2600mm
Max lifting height (to centre of lifting yoke)	4100mm
Hydraulic side offset	75mm
Fine lift on arm	200mm
Tilt function	180°
Rotation	180°
Suction cups	4 x Ø 385mm or 8 x Ø 350mm
Battery	2 x 95 AH



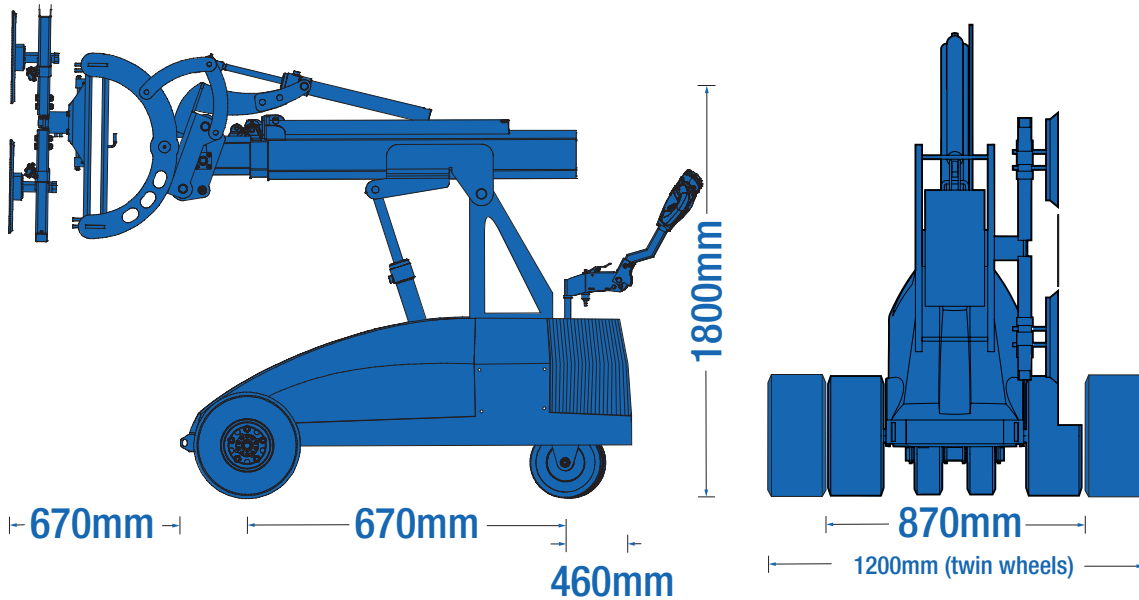
4 x Ø 385mm or 8 x Ø 350mm suction cups for lifting materials such as.

- Granite
- Wood
- Steel
- Fire Doors
- Concrete
- Plasterboard
- Tiles

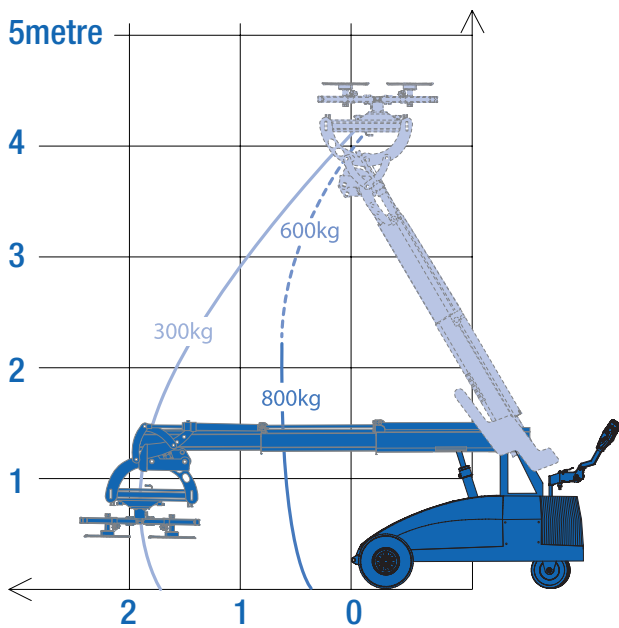
Product specifications are subject to change without notice or obligation. The photographs and/or drawings in this document are for illustrative purposes only.

# Winlet 1000 Glazing Robot

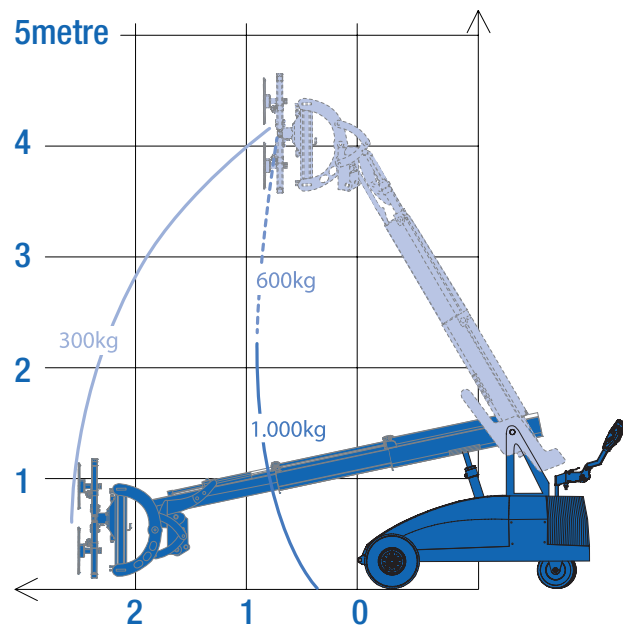
## Dimensions



## Pick and Place



## Outreach



Product specifications are subject to change without notice or obligation. The photographs and/or drawings in this document are for illustrative purposes only.



Northern 01482 227333 Central 01302 341659 Southern 0203 174 0658

[www.hird.co.uk](http://www.hird.co.uk)

### Northern (Head Office)

English Street  
Hull HU3 2BS

Tel: +44 (0)1482 227333

Fax: +44 (0)1482 587710

Email: [info@hird.co.uk](mailto:info@hird.co.uk)

### Central

Shaw Lane Industrial Estate  
Ogden Road, Doncaster DN2 4SQ

Tel: +44 (0)1302 341659

Fax: +44 (0)1302 341675

Email: [doncaster@hird.co.uk](mailto:doncaster@hird.co.uk)

### Southern

Unit 8, Redhill 23 Business Park  
Holmethorpe Avenue, Redhill RH1 2NB

Tel: +44 (0)203 174 0658

Fax: +44 (0)1737 773188

Email: [london@hird.co.uk](mailto:london@hird.co.uk)