

Winlet 350 TH

Dual Circuit Window & Glass Installation Robot

Range: Glass Vacuum Equipment / Glazing Robots / Winlet

Our range of glass handling equipment is available to customers across the UK, from our own strategically placed depots enabling us to offer a national coverage.



Winlet 350 TH

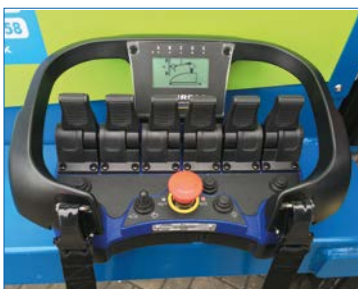
The Winlet 350TH is designed to fit on most telehandlers providing an excellent solution where height or ground conditions prevent the use of a standard Winlet or Mini Crane.



UK and Ireland
Distributor



The Winlet 350TH has a hydraulic system which makes it independent from the telehandler.



Multifunction control panel in operator friendly design with integrated buttons. Signal lights and Double action safety keys are both in the standard setup on the Winlet 350 TH.

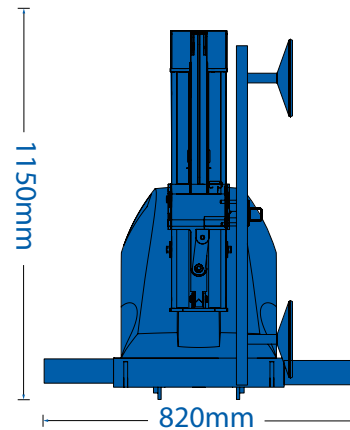
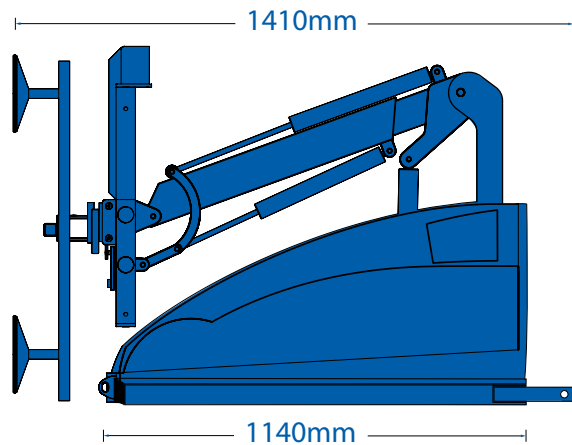
350kg
max lifting capacity

Technical Specifications

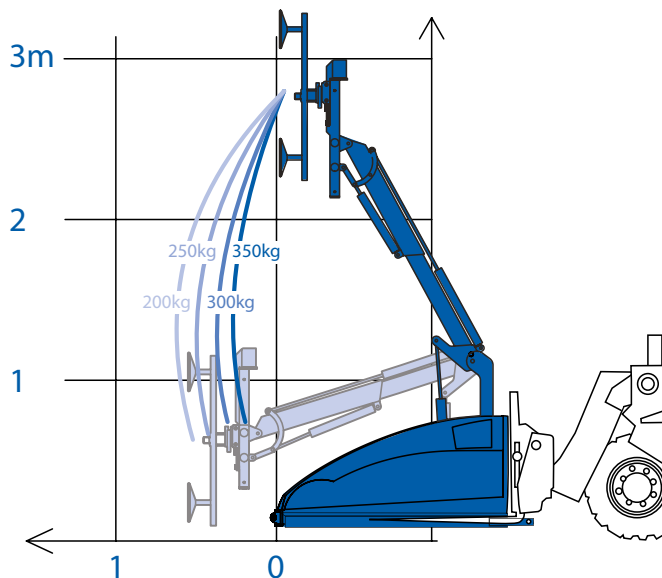
Winlet 350 TH

Max capacity	350kg
Max capacity on side	200kg
Total weight	400kg
External width	820mm
External length	1410mm
External height	1150mm
Min/max extension (front bumper to suction cup)	290/790mm
Max lifting height (to centre of lifting yoke)	2700mm
Side offset	100mm
Fine lift on arm	500mm
Tilt function	180°
Continuous rotation	360°
Suction cups	4 x Ø 270mm
Battery	2 x 95 AH

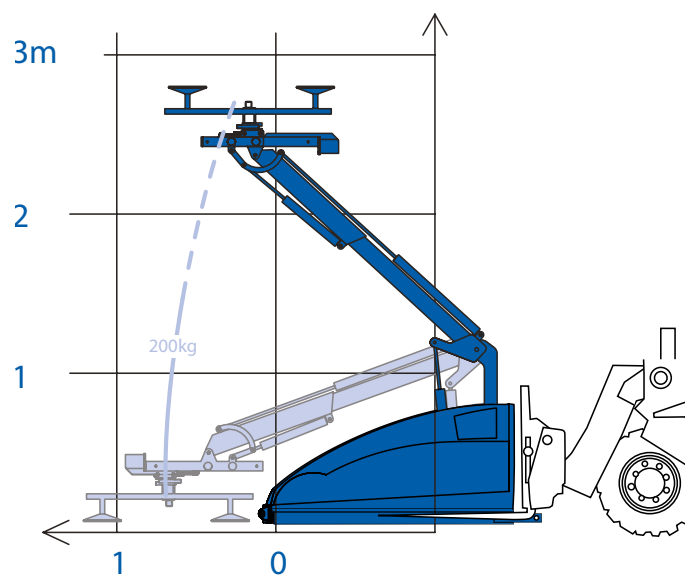
Winlet 350 TH Glazing Robot



Reach



Pick N Place



Product specifications are subject to change without notice or obligation. The photographs and/or drawings in this document are for illustrative purposes only.



Northern 01482 227333 Central 01302 341659 Southern 0203 174 0658

www.hird.co.uk

Northern (Head Office)
English Street
Hull HU3 2BT

Tel: +44 (0)1482 227333
Fax: +44 (0)1482 587710
Email: info@hird.co.uk

Central
Shaw Lane Industrial Estate
Ogden Road, Doncaster DN2 4SQ

Tel: +44 (0)1302 341659
Fax: +44 (0)1302 341675
Email: doncaster@hird.co.uk

Southern
Unit 8, Redhill 23 Business Park Holmethorpe Avenue
Redhill RH1 2NB

Tel: +44 (0)203 174 0658
Fax: +44 (0)1737 773188
Email: london@hird.co.uk