

HIRD

Est. 1983
Celebrating 40 Years

www.hird.co.uk

CladBoy CB5

Dual Circuit Cladding Vacuum

The CladBoy CB5 is capable of loads up to 400kg. Suctions pads are available to suit all commonly used composite wall and roof panels.

- Suitable for horizontal or vertical wall applications
- Flexible configuration with interchangeable extensions and pads, to suit load shape and weight
- Easy to transport
- Effective secondary safety devices for all panel orientations



Optional wireless remote control

400kg

Lifting capacity dependant on active suction pads and configuration used

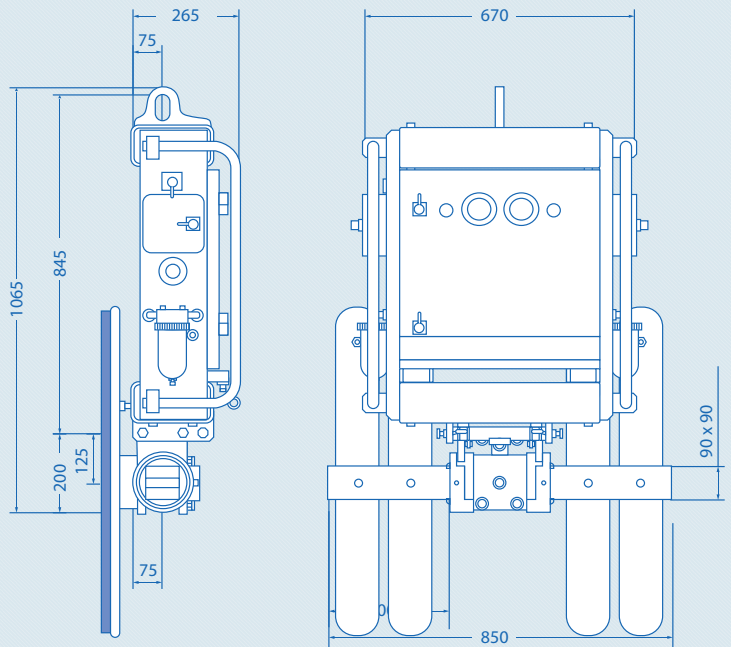


90° tilt

Technical Specification

Max. lifting capacity	400kg
Weight of lifter	165kg (basic config)
Number of extensions	up to 6 (config dependent)
Suction pad dimension	110 x 530mm or 150 x 1,000mm
Structural depth	265mm (without pads)
Power source inc charger	Battery (110v on-board charger)

Dimensions (mm)



RTITB - accredited vacuum course



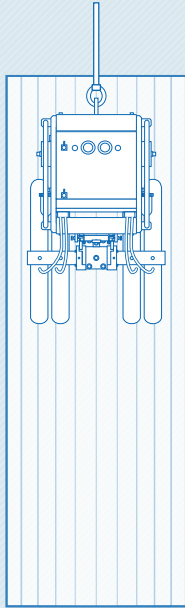
Product specifications are subject to change without notice or obligation. The photographs and/or drawings in this document are for illustrative purposes only.

Northern
01482 227333

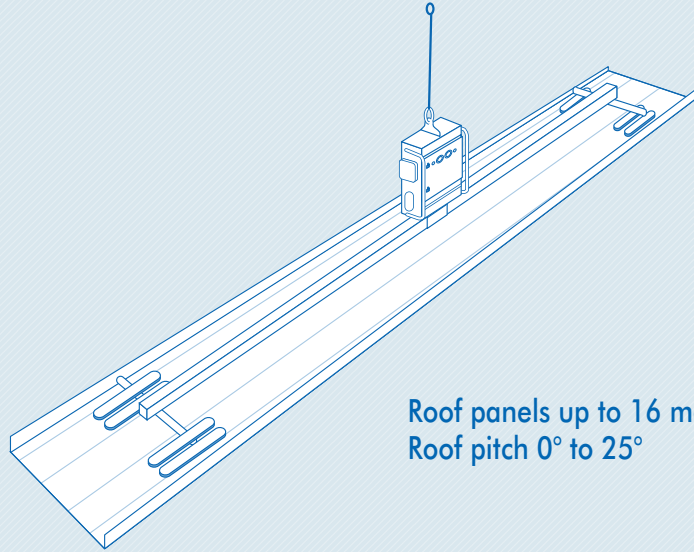
Central
01302 341659

Southern
0203 174 0658

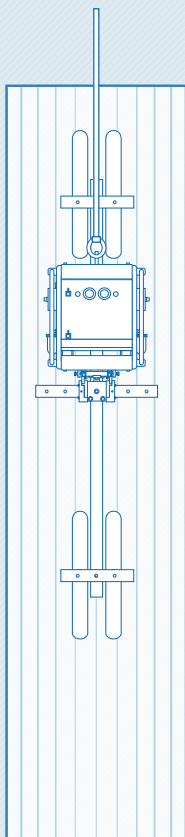
Configurations



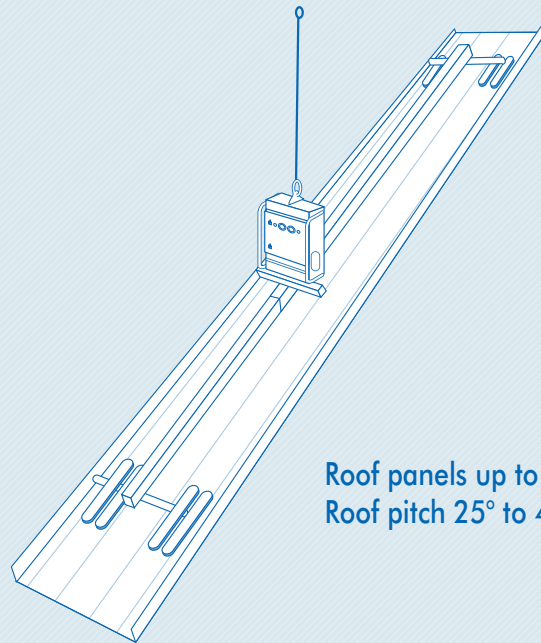
Vertical wall panels
up to 12 metres



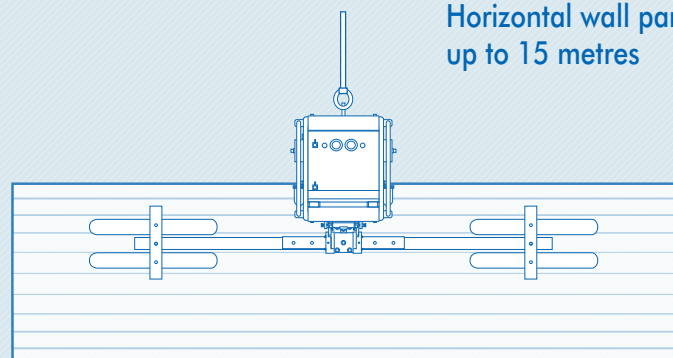
Roof panels up to 16 metres
Roof pitch 0° to 25°



Vertical wall panels
up to 17 metres



Roof panels up to 16 metres
Roof pitch 25° to 45°



Horizontal wall panel
up to 15 metres



RTITB - accredited vacuum course



Product specifications are subject to change without notice or obligation.
The photographs and/or drawings in this document are for illustrative purposes only.