

GML Compact

Counterbalance Floor Crane

A compact version of the GML floor crane, perfect for those tight areas, with an impressive 800kg SWL.

Simple to transport, set-up and very easy to use. Manufactured from high grade materials in Germany.

- 2 x Weight Boxes = 600kg* SWL
4 x Weight Boxes = 800kg* SWL
- Piano Castors available as an additional option for ease of manoeuvrability.
- Working Height 6.95m*

*Figures / dimensions are subject to change and testing.



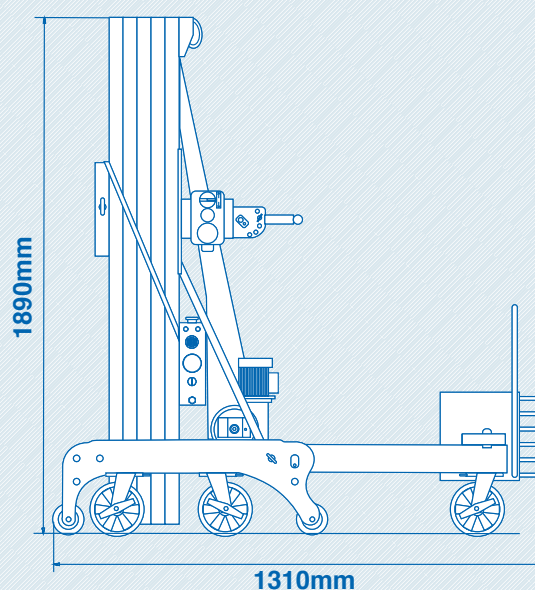
GML Compact with vacuum lifter

800kg

Technical Specification

	GML-C / 800	GML-C / 6 00
Lift capacity	800kg	600kg
Working height	6.95m	6.95m
Width	780mm	780mm
Width (working)	900mm	900mm
Length (working)	1,530mm	1,530mm
Weight	dead weight - lift only	412kg
	inc counterweights	(x4) 1,372kg
	weight of one box	240kg
		(x2) 892kg
		240kg

Dimensions (mm)



LEEA - Counterbalance floor crane



Product specifications are subject to change without notice or obligation.
The photographs and/or drawings in this document are for illustrative purposes only.