

# HIRD

## MRTA8

Dual Circuit Quadra-Tilt Vacuum Lifter

[www.hird.co.uk](http://www.hird.co.uk)

The Woods Powr-Grip MRTA8 is a welcome upgrade to the very popular MRTA6 with increased lifting capacity and four-bar tilt mechanism, an excellent mid-range vacuum.

- Powerful 635kg capacity from eight 305mm suction cups
- Four bar tilt mechanism
- Multiple configurations for different load sizes
- Low vacuum alert



Wired remote control

# 635kg

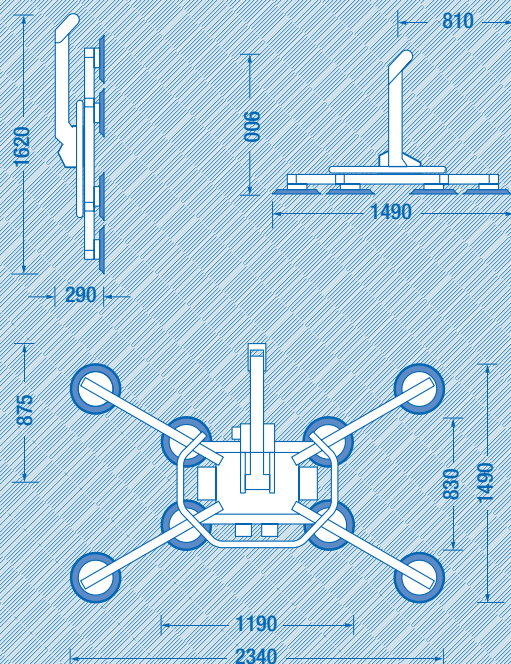
360° rotation

90° tilt

### Technical Specification

Max. lifting capacity	635kg
Weight of lifter	91kg
Number of suction cups	8
Suction cup dimension	305mm Ø
Structural depth	290mm
Power source incl. charger	Battery (110v on-board charger)

### Dimensions (mm)



RTITB - accredited vacuum course



Product specifications are subject to change without notice or obligation. The photographs and/or drawings in this document are for illustrative purposes only.

Northern  
01482 227333

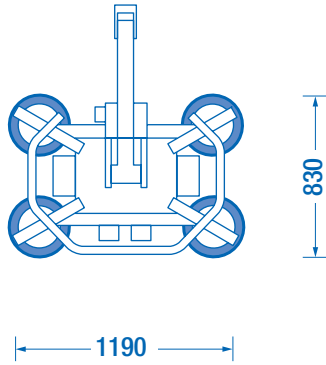
Central  
01302 341659

Western  
01384 900388

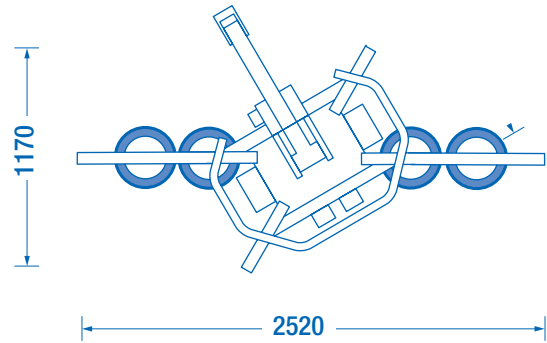
Southern  
0203 174 0658

## Suction Pad Configuration

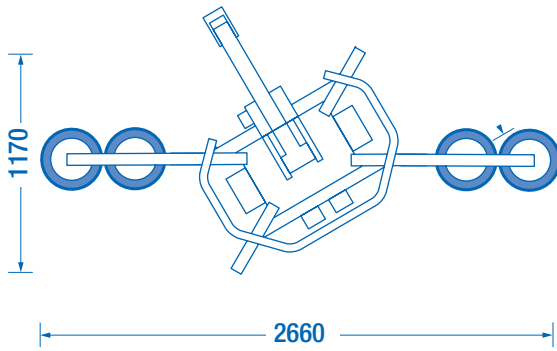
Max. lifting capacity 320kg



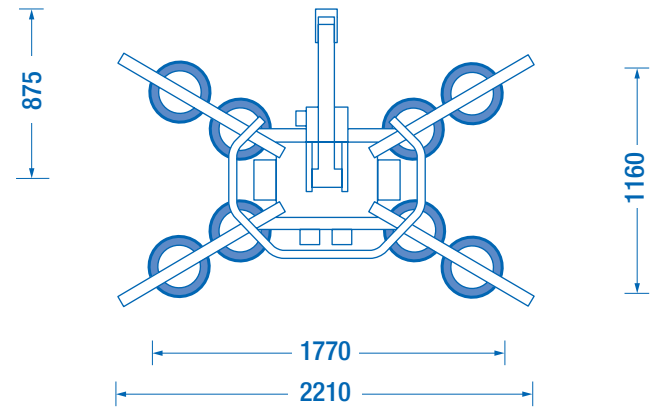
Max. lifting capacity 320kg



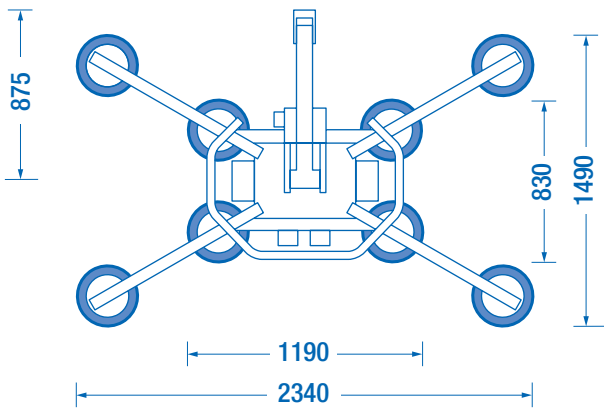
Max. lifting capacity 320kg



Max. lifting capacity 635kg



Max. lifting capacity 635kg



Max. lifting capacity 635kg

