

HIRD

OKTOPUS GL-CC777600

Glazing Manipulator

www.hird.co.uk

Designed to fit on our Maeda range of mini cranes, it offers a maximum working height of 16m with all the benefits and precision of a glazing robot now with the added reach of a mini crane.



The Wirth Oktopus Glazing Manipulator is the perfect companion for the Maeda MC285, MC305 & MC405 Mini Cranes

600kg

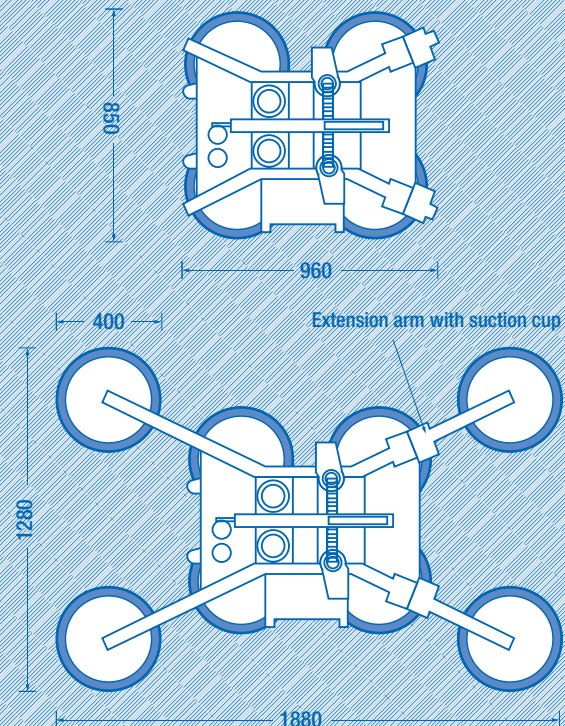
 95° rotation

Technical specification

Max. lifting capacity	600kg	300kg
Weight of lifter	170kg	145kg
Number of suction cups	8	4
Suction cup dimension	8 x 400mm	4 x 400mm
Structural depth	1,250mm	
Power source	Battery 110v on-board charger	
Powered head unit	up & down	60°
Powered pad frame	rotation	95°
Powered head slew	left & right	40°



Vacuum Robots course



Northern
01482 227333

Central
01302 341659

Western
01384 900388

Southern
0203 174 0658