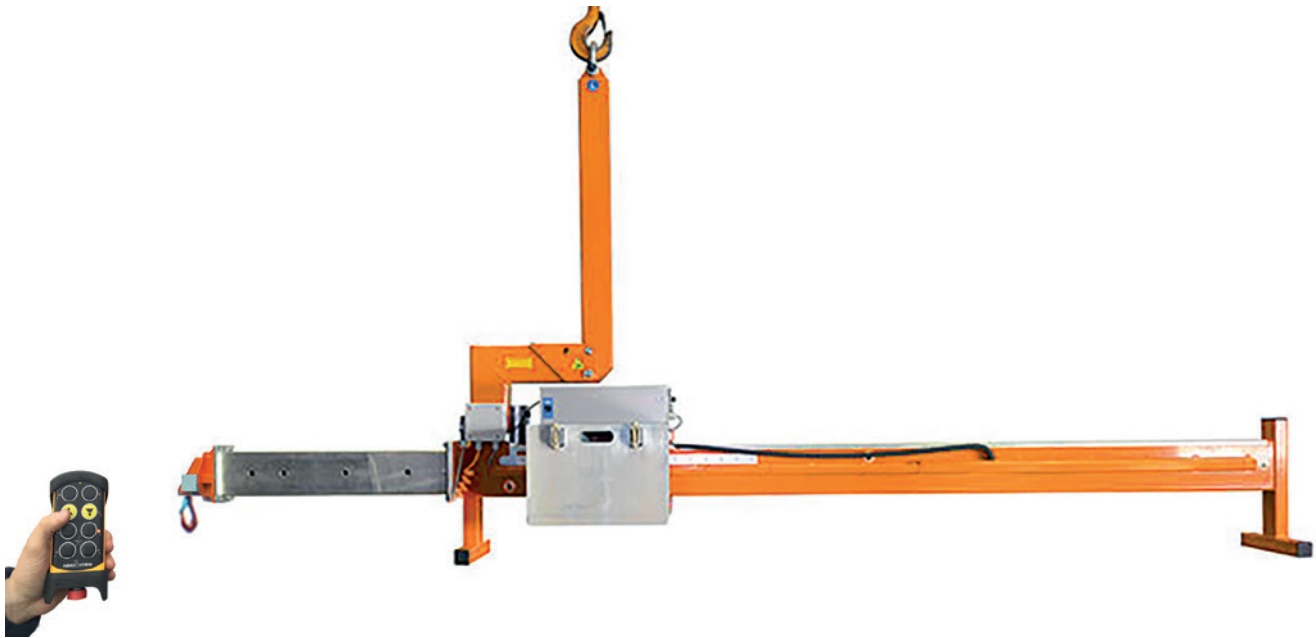




OKTOPUS CBL900

Counterbalance Lifting Beam

www.hird.co.uk



Remote control

900kg

Technical specification

Overhang adjustable Minimum **1,000mm** Maximum **2,000mm**

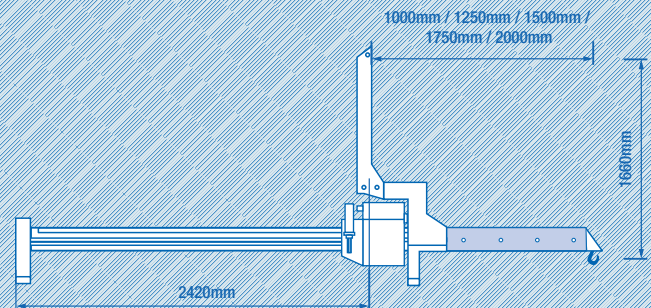
Weight approx. **210kg** without counterweight **810kg** with 24 counterweights

Inclination Maximum $\pm 10^\circ$

Counterweights **24 removable pieces**
1 counterweight = 25 kg

Power source **24v battery** - 110v / 240v charger

Operation **Cable remote control,**
radio remote control optional



Safe Working Loads

Overhang	Working Load Limit
1.0m	900kg
1.25m	900kg
1.5m	900kg
1.75m	900kg
2.0m	900kg



LEEA - Counterbalance lifting beam



Northern
01482 227333

Central
01302 341659

Western
01384 900388

Southern
0203 174 0658