

OKTOPUS CBL5000

Counterbalance Lifting Beam



Remote control

5,000kg

Technical specification

Overhang adjustable Minimum 1,500mm Maximum 3,000mm

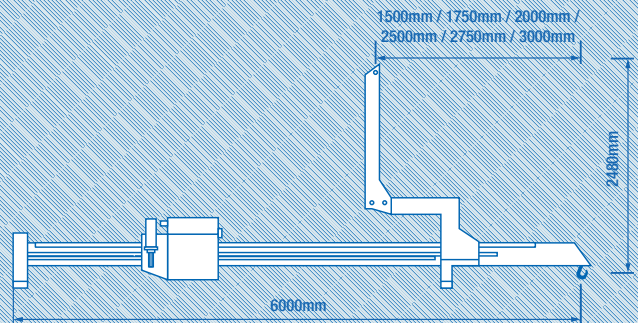
Weight approx. 900kg without counterweight 2,600kg with 34 counterweights

Inclination Maximum $\pm 10^\circ$

Counterweights 34 removable pieces
1 counterweight = 50 kg

Power source 24v battery - 110v / 240v charger

Operation Cable remote control,
radio remote control optional



Safe Working Loads

Overhang	Working Load Limit
1.50m	5,000kg
1.75m	3,900kg
2.00m	3,200kg
2.25m	2,650kg
2.50m	2,200kg
2.75m	1,850kg
3.00m	1,550kg



LEEA - Counterbalance lifting beam

