



UK and Ireland distributor

WINLET 575

Dual Circuit Window & Glass Installation Robot

Boost productivity and safety,
the smart lifting option.

The **Winlet 575**, like other Winlets, can be used to lift a range of materials. With a 575kg capacity, the unit replaces the need for traditional lifting methods.



Wired remote control

575kg

180° rotation

180° tilt

Technical specification

Max. working height	3,600mm
Max. extension from front bumper to suction cup	1,800mm
Extension capacity at max extension	275kg
Side lift capacity	275kg
Linear	75mm
Fine lift on jib head	190mm
Suction cups (Glass)	4 @ 350mm Ø
Total machine weight	1,300kg
Light weight excluding counterweights	1,025kg
Power source	Battery 110v on-board charger
Remote control	Wired

Features include



Easy to operate stabilisers



Wired remote control allows accurate placement of materials



Lift a wide range of materials by changing the suction cups



Twin wheels for rough terrain (optional)



Vacuum Robots course



Northern
01482 227333

Central
01302 341659

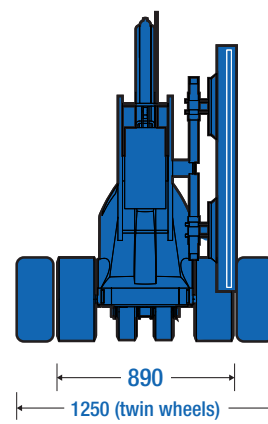
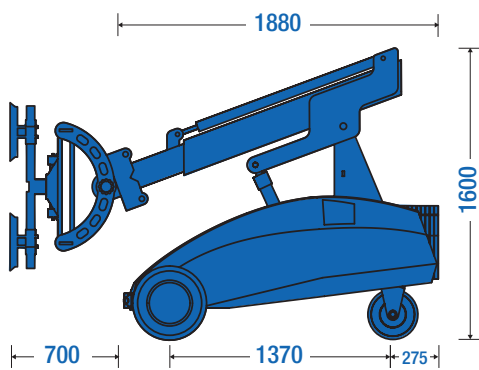
Western
01384 900388

Southern
0203 174 0658

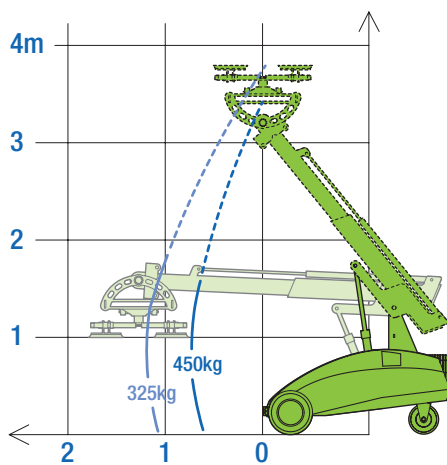


Intelligent load monitoring on all Winlet robots protects the lifting team and the load

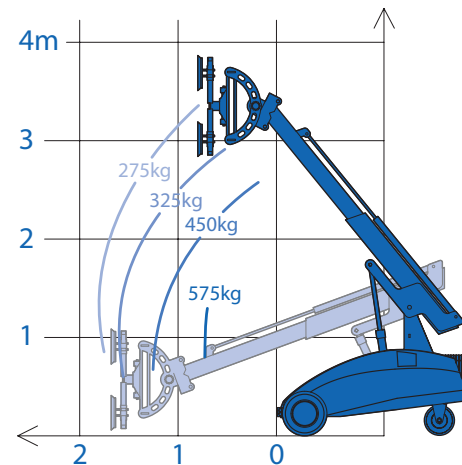
Dimensions (mm)



Pick and place



Reach



Product specifications are subject to change without notice or obligation. The photographs and/or drawings in this document are for illustrative purposes only.