



UK and Ireland distributor

WINLET 350TH

Dual Circuit Window & Glass Installation Robot

A glazing robot with a manipulator head for heights

The **Winlet 350TH** is designed to fit on most telehandlers to provide an excellent solution where height or ground conditions prevent the use of a standard Winlet or Mini Crane.



Wired remote control



350kg

360° rotation

180° tilt

Technical specification

Max. working height	2,700mm
Max. extension from front bumper to suction cup	790mm
Extension capacity at max extension	200kg
Side lift capacity	200kg
Linear	90mm
Fine lift on jib head	500mm
Suction cups (Glass)	6 @ 270mm Ø
Total machine weight	400kg
Power source	Battery 110v on-board charger
Remote control	Wired

Features include



Multifunction control panel in operator friendly design with integrated buttons. Signal lights and double action safety keys are both in the standard setup on the Winlet 350TH.



The Winlet 350TH is designed to fit onto Telehandlers or Forklifts, with ease.



Vacuum Robots course



Northern
01482 227333

Central
01302 341659

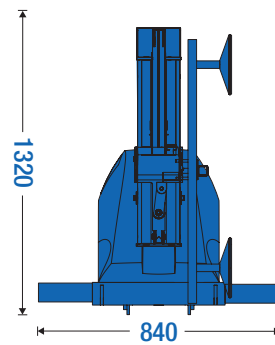
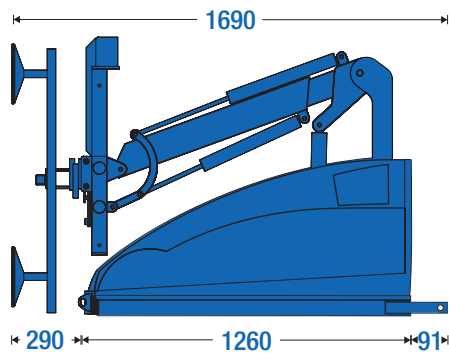
Western
01384 900388

Southern
0203 174 0658

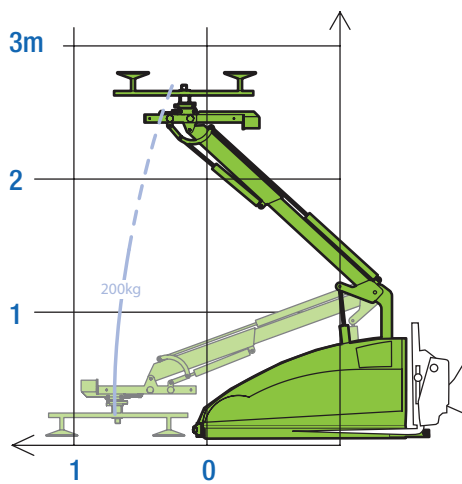


The Winlet 350TH has a hydraulic system which makes it independent from the telehandler

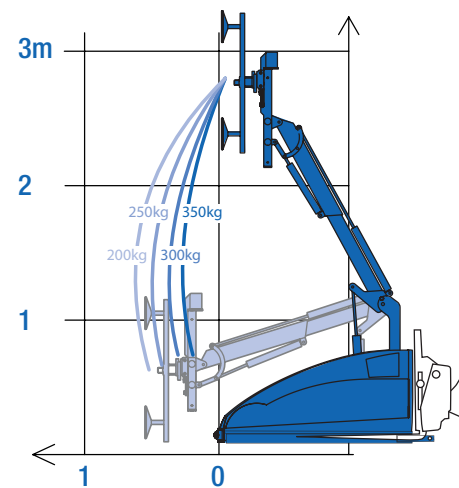
Dimensions (mm)



Pick and place



Reach



Product specifications are subject to change without notice or obligation. The photographs and/or drawings in this document are for illustrative purposes only.