



# URW-706

(6.0t x 3.0m)

UNIC Mini Crane

[www.hird.co.uk](http://www.hird.co.uk)

The URW706 is the heavyweight in Hird's mini crane fleet. With a lifting capacity of up to 6.0t.

Other features include a 19.2m boom length & extendable Fly jib / Searcher Hook as standard, perfect if extra muscle is required.



## 6.0t x 3.0m

### Technical Specification

Max. lifting capacity	6.0t x 3.0m
Lifting height	19.5m
Max. working radius	18.6m
Boom length	4.80 - 19.20m
Power source	Diesel or Electric Mains
Weight	7,920kg 8,070kg with electric option 8,310kg with searcher hook and fly jib attached

### Features include

- Fly jib and searcher hook provides extended range and precise positioning
- Remote control operation or on-board operator seat
- Will go through standard double doorway
- Intelligent throttle system



CPCS - A66 Compact Crane A



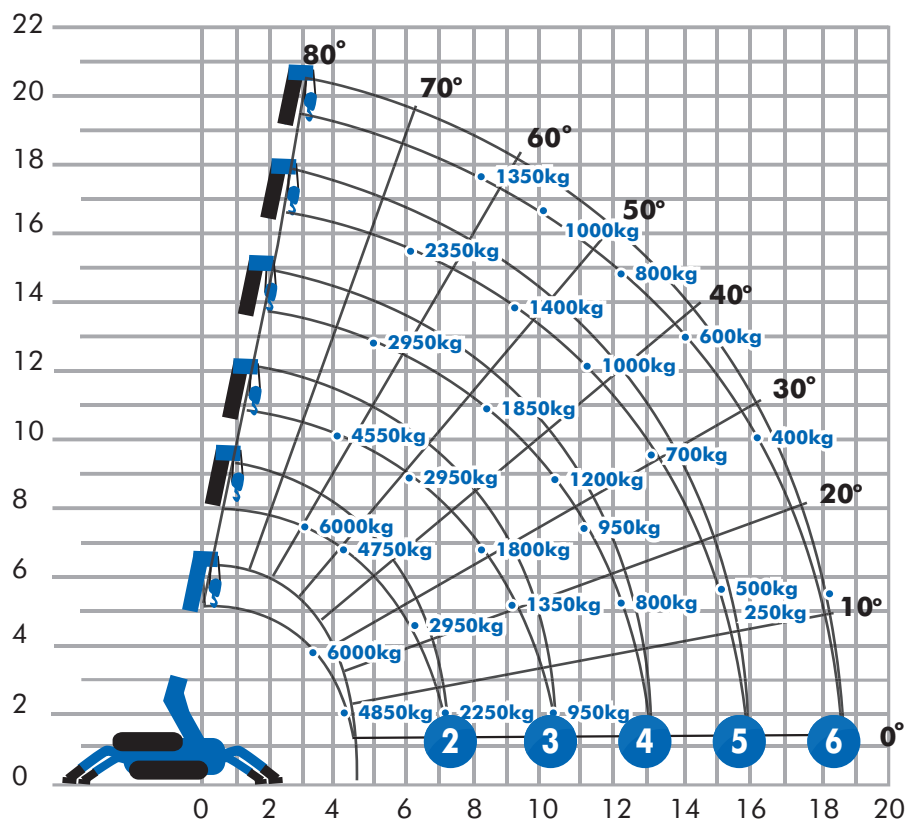
**Northern**  
01482 227333

**Central**  
01302 341659

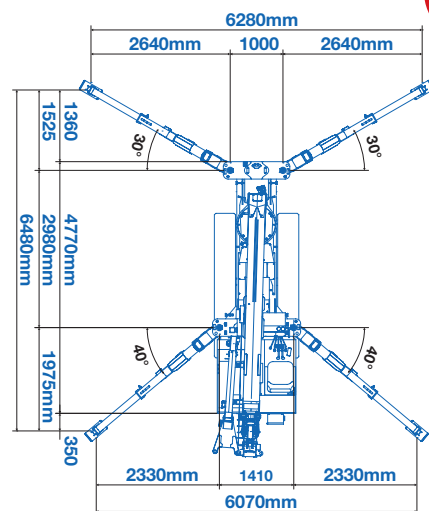
**Western**  
01384 900388

**Southern**  
0203 174 0658

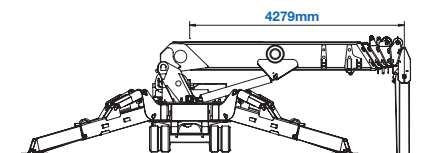
## Working Envelope



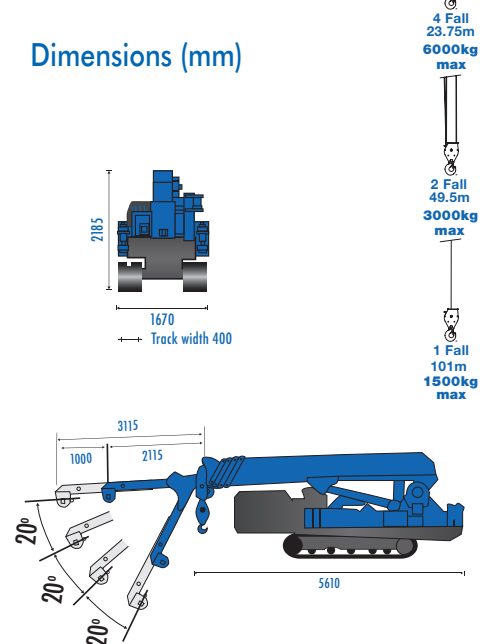
## Outrigger Positions



## Max. Reach Below Ground Level



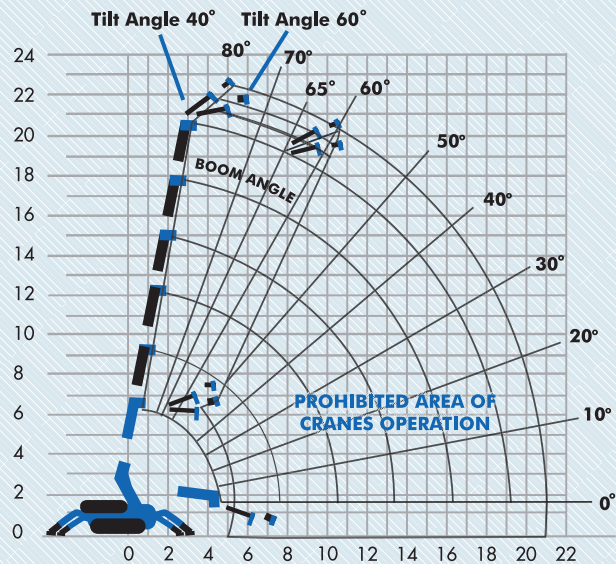
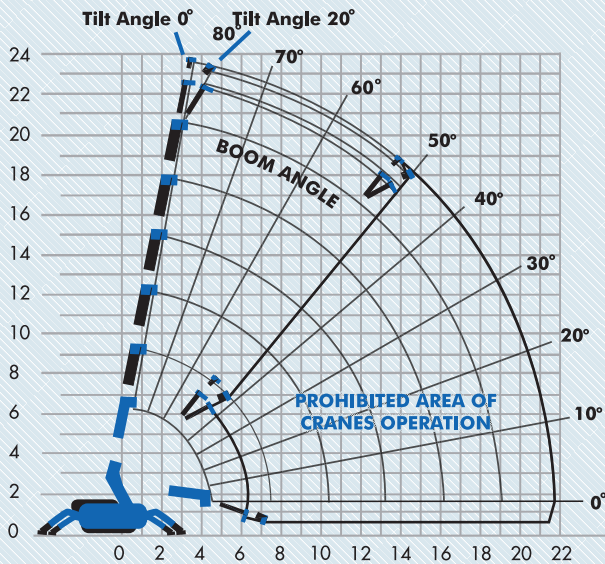
## Dimensions (mm)



Stage	Working radius	m up to	Outrigger	Max-extended	Mid-extended	Min-extended
2	Second stage extended 4.8 - 7.7m boom length					
		2.0	3.0	3.5	4.0	5.0
		6,000	6,000	5,350	4,750	3,750
		2,950	2,250	2,000	1,700	1,550
		6,000	6,000	5,350	4,750	3,750
		6,000	6,000	5,350	4,650	2,550
3	Third stage extended 7.7 - 10.6m boom length					
		2.7	4.0	5.0	6.0	7.0
		4,550	4,550	3,650	2,950	2,400
		1,350	950	950	700	700
		4,550	4,550	3,650	2,550	1,700
		4,550	4,550	2,650	1,700	1,200
4	Fourth stage extended 10.6 - 13.5m boom length					
		5.0	6.0	7.0	8.0	9.0
		2,950	2,550	2,150	1,850	1,500
		950	800	450	330	240
		2,950	2,550	1,850	1,400	1,100
		2,750	1,850	1,300	1,000	750
5	Fifth stage extended 13.5 - 16.3m boom length					
		6.0	8.0	9.0	10.0	11.0
		2,350	1,700	1,400	1,200	1,000
		700	600	500	400	300
		2,350	1,500	1,150	950	750
		1,950	1,050	800	650	500
6	Sixth stage extended 16.3 - 19.2m boom length					
		8.0	10.0	12.0	14.0	16.0
		1,350	1,000	800	600	400
		200	150	100	50	30
		1,350	1,000	650	450	300
		1,100	700	450	280	170

Product specifications are subject to change without notice or obligation. The photographs and/or drawings in this document are for illustrative purposes only.

## Optional Extension Fly Jib / Searcher Hook - Working Range



Angled rated Net rated loads (kg) at extension jib angle

Boom Angle	0°	20°	40°	60°
80°	800	800	600	600
75°	800	800	600	600
70°	700	700	500	500
65°	600	600	400	400
60°	500	500		
55°	400	400		
50°	300	300		
40°				
30				
20°				
10°				
0°				

Prohibited

Radius rated

Working Radius (m)
7.0
8.0
9.0
10.0
10.5
11.0
11.5
12.0
13.0
14.0
15.0
16.0
17.0
18.0
20.0

Searcher hook net rated loads (kg)

Working Radius (m)	Outriggers		
	Max-Extended	Mid-Extended	Min-Extended
7.0	800	800	800
8.0	800	800	610
9.0	800	700	420
10.0	800	550	250
10.5	800	490	200
11.0	650	430	160
11.5	550	370	120
12.0	330	310	100
13.0	330	230	
14.0	260	150	
15.0	210	100	
16.0	170		
17.0	130		
18.0	100		
20.0			

Prohibited

### Technical Specifications - Fly Jib

Lifting capacity	800kg
Jib length	retracted 2.10m extended 3.11m
Weight	205kg
Tilt Angles	0°, 20°, 40°, 60°

### Technical Specifications - Searcher Hook

Lifting capacity	800kg
Length	2.21m
Weight	25kg (excluding bracket and first section)
Tilt Angles	0°, 20°, 40°, 60°
	0° (prohibited boom angles 40° - 60°)
	20° (prohibited boom angles 60° - 80°)
	40°, 60° (operation possible with all boom angles)