



URW-506

(3.0t x 3.4m)

UNIC Mini Crane

www.hird.co.uk

Mini yet mighty, the URW506 has a 15.71m boom length, industry leading safety features and a dual fuel option.



3.0t x 3.4m

Technical Specification

Max. lifting capacity	3.0t x 3.4m
Lifting height	16.0m
Max. working radius	15.52m
Boom length	3.93 - 15.71m
Power source	Diesel or Electric Mains
Weight	4,840kg 4,990kg with electric option

Features include

- Radio remote control operation or on-board operator seat
- Configurable outriggers
- Automatic hook stow
- Overwinding alarm
- 500kg searcher hook



CPCS - A66 Compact Crane A



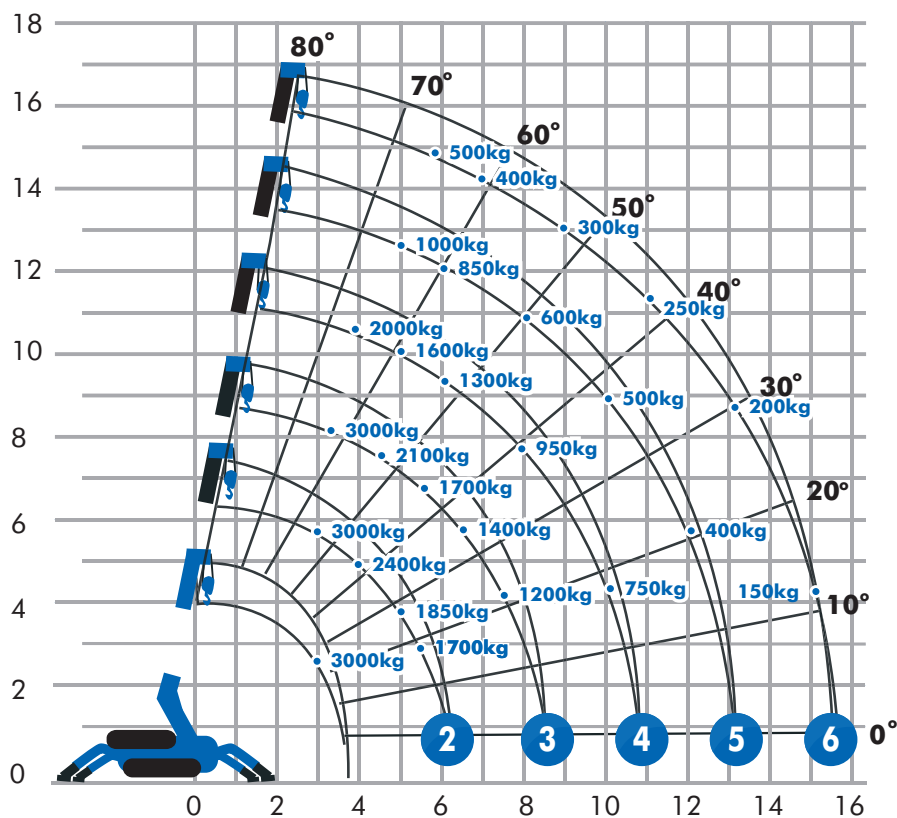
Northern
01482 227333

Central
01302 341659

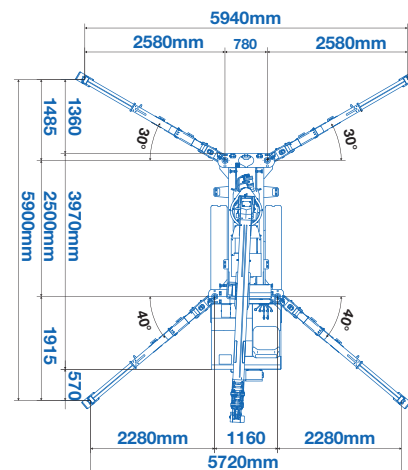
Western
01384 900388

Southern
0203 174 0658

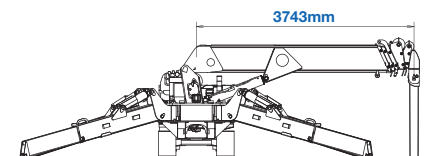
Working Envelope



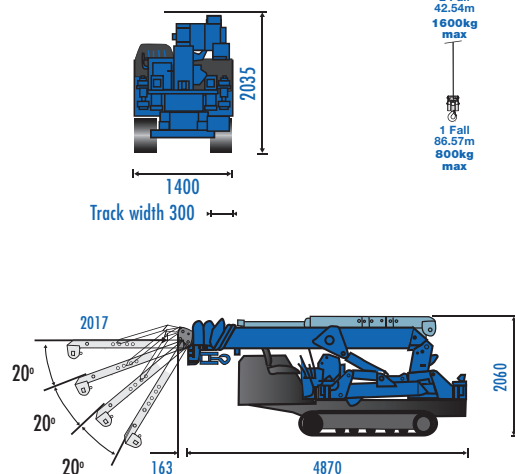
Outrigger Positions



Max. Reach Below Ground Level



Dimensions (mm)



2

Second stage extended 3.93 - 6.33m boom length

Working radius	m up to	2.5	3.0	3.4	4.0	4.5	5.0	5.5	6.0
Outrigger Max-extended	kg	3,000	3,000	3,000	2,400	2,100	1,850	1,700	1,550
Mid-extended	kg	3,000	3,000	3,000	2,400	2,100	1,850	1,700	1,400
Min-extended	kg	3,000	3,000	3,000	2,400	2,000	1,650	1,350	1,100

3

Third stage extended 6.33 - 8.72m boom length

Working radius	m up to	3.0	3.4	4.0	4.5	5.0	5.5	6.0	6.5	7.0	7.5	8.53
Outrigger Max-extended	kg	3,000	3,000	2,400	2,100	1,850	1,700	1,550	1,400	1,300	1,200	1,000
Mid-extended	kg	3,000	3,000	2,400	2,100	1,850	1,700	1,400	1,200	1,050	850	620
Min-extended	kg	3,000	3,000	2,400	2,000	1,650	1,350	1,100	900	750	600	450

4

Fourth stage extended 8.72 - 11.05m boom length

Working radius	m up to	4.0	4.5	5.0	5.5	6.0	7.0	8.0	9.0	10.0	10.86
Outrigger Max-extended	kg	2,000	1,800	1,600	1,450	1,300	1,100	950	850	750	640
Mid-extended	kg	2,000	1,800	1,600	1,450	1,300	1,050	700	600	450	390
Min-extended	kg	2,000	1,800	1,600	1,350	1,100	750	500	400	300	250

5

Fifth stage extended 11.05 - 13.38m boom length

Working radius	m up to	5.0	5.5	6.0	7.0	8.0	9.0	10.0	11.0	12.0	13.19
Outrigger Max-extended	kg	1,000	920	850	700	600	550	500	450	400	350
Mid-extended	kg	1,000	920	850	700	600	520	450	390	300	250
Min-extended	kg	1,000	920	850	700	500	400	300	250	200	170

6

Sixth stage extended 13.38 - 15.71m boom length

Working radius	m up to	6.0	7.0	8.0	9.0	10.0	11.0	12.0	13.0	14.0	15.52
Outrigger Max-extended	kg	500	400	350	300	250	250	200	200	150	150
Mid-extended	kg	500	400	350	300	250	250	200	200	150	150
Min-extended	kg	500	400	350	300	250	230	200	170	150	100

Product specifications are subject to change without notice or obligation.
The photographs and/or drawings in this document are for illustrative purposes only.