



URW-376

(2.9t x 2.5m)

UNIC Mini Crane

www.hird.co.uk

The URW376 is one of Hird's mid-range mini cranes.

Featuring a 14.61m boom length and both diesel & electric power options, this mini crane is a class leader.



2.9t x 2.5m

Technical Specification

Max. lifting capacity	2.9t x 2.5m
Lifting height	14.9m
Max. working radius	14.45m
Boom length	3.63 - 14.61m
Power source	Diesel, Petrol, LPG Dual or Electric Dual
Weight	3,850kg 4,000kg with electric option

Features include

- Radio remote control operation or on-board operator seat
- Configurable outriggers
- Automatic hook stow
- Overwinding alarm
- 500kg searcher hook



CPCS - A66 Compact Crane A



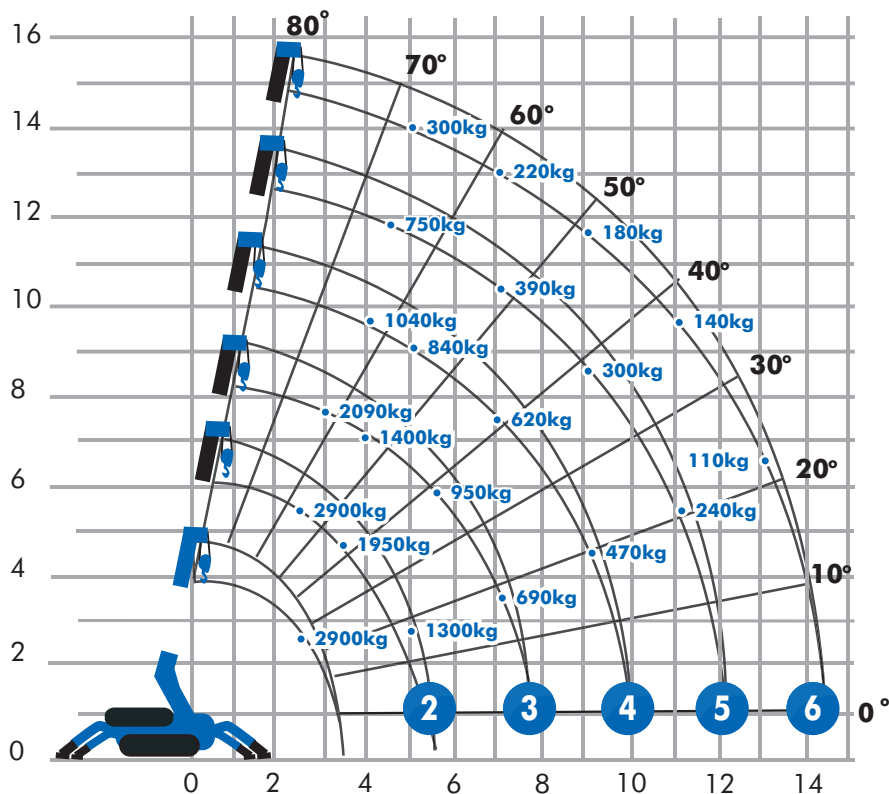
Northern
01482 227333

Central
01302 341659

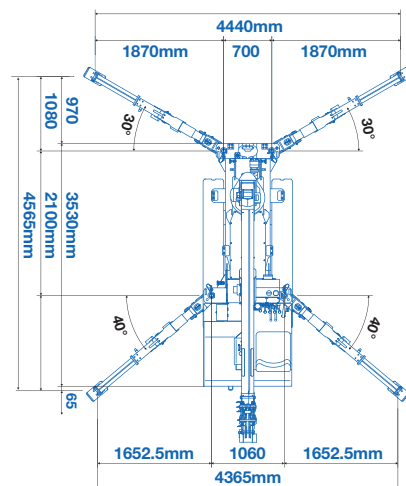
Western
01384 900388

Southern
0203 174 0658

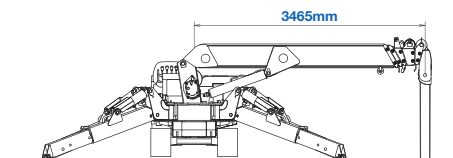
Working Envelope



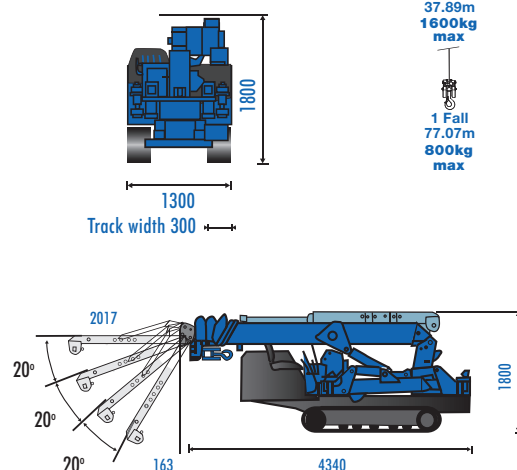
Outrigger Positions



Max. Reach Below Ground Level



Dimensions (mm)



2 Second stage extended 3.63 - 5.85m boom length

Working radius	m up to	2.0	2.5	3.0	3.5	4.0	4.5	5.0	5.69
Outrigger Max-extended	kg	2,900	2,900	2,350	1,950	1,670	1,450	1,300	1,070
Mid-extended	kg	2,900	2,900	2,320	1,920	1,570	1,250	990	770
Min-extended	kg	2,900	2,900	2,170	1,500	1,120	900	720	470

3 Third stage extended 5.85 - 8.04m boom length

Working radius	m up to	2.7	3.0	3.5	4.0	4.5	5.0	5.5	6.0	7.0	7.88
Outrigger Max-extended	kg	2,240	2,090	1,650	1,400	1,220	1,070	950	840	690	590
Mid-extended	kg	2,240	2,060	1,650	1,390	1,170	1,000	820	640	450	370
Min-extended	kg	2,240	2,060	1,570	1,220	1,020	830	650	510	300	190

4 Fourth stage extended 8.04 - 10.23m boom length

Working radius	m up to	4.0	4.5	5.0	6.0	7.0	8.0	9.0	10.07
Outrigger Max-extended	kg	1,040	930	840	730	620	520	470	380
Mid-extended	kg	1,030	920	830	670	500	380	280	200
Min-extended	kg	1,030	820	640	470	310	220	130	90

5 Fifth stage extended 10.23 - 12.42m boom length

Working radius	m up to	4.5	5.0	6.0	7.0	8.0	9.0	10.0	11.0	12.26
Outrigger Max-extended	kg	750	620	480	390	340	300	270	240	230
Mid-extended	kg	750	620	470	390	320	270	220	170	130
Min-extended	kg	750	620	400	250	180	130	90	60	10

6 Sixth stage extended 12.42 - 14.61m boom length

Working radius	m up to	4.9	5.5	6.0	7.0	8.0	9.0	10.0	11.0	12.0	13.0	14.45
Outrigger Max-extended	kg	300	270	250	220	200	180	160	140	130	110	100
Mid-extended	kg	300	270	250	220	200	180	160	120	90	60	40
Min-extended	kg	300	270	250	220	170	110	80	50	30	20	10

Product specifications are subject to change without notice or obligation.
The photographs and/or drawings in this document are for illustrative purposes only.