



URW-094

(0.995t x 1.5m)

UNIC Mini Crane

www.hird.co.uk

The URW094 is Hird's smallest & lightest mini crane.

Weighing only 1,000kg but with a lift capacity of up to 995kg it is perfect for confined spaces.



0.995t x 1.5m

Technical Specification

Max. lifting capacity	0.995t x 1.5m
Lifting height	5.60m
Max. working radius	5.17m
Boom length	1.73 - 5.49m
Power source	Petrol or LPG
Weight	1,000kg

Features include

- Radio remote control operation
- Configurable outriggers
- Automatic hook stow
- Overwinding alarm
- Will pass through single doorway



CPCS - A66 Compact Crane A



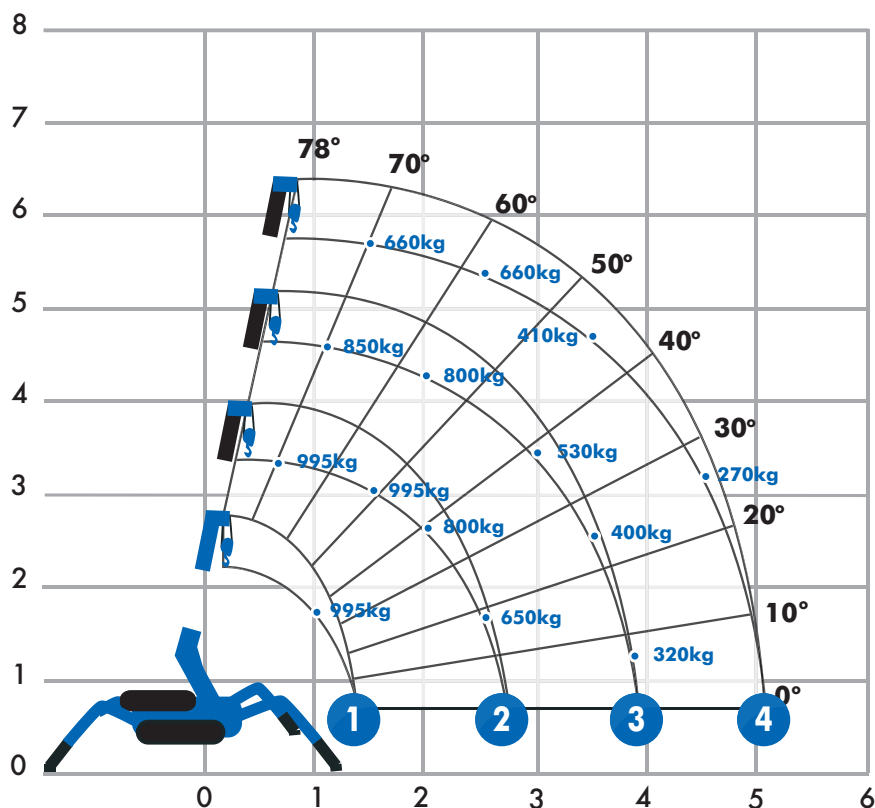
Northern
01482 227333

Central
01302 341659

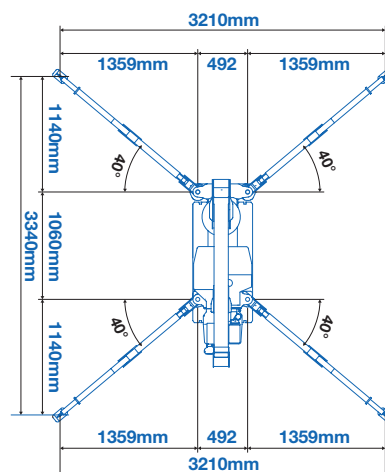
Western
01384 900388

Southern
0203 174 0658

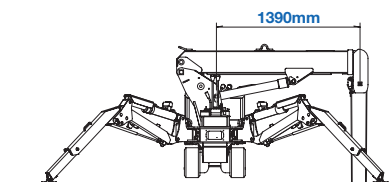
Working Envelope



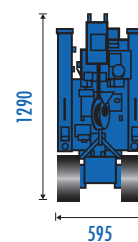
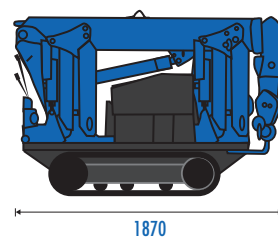
Outrigger Positions



Max. Reach Below Ground Level



Dimensions (mm)



Track width 150

2 Fall
13.89m
1 Fall
28.77m

Rated Loads

1

First stage extended 1.73m boom length

Working radius	m up to	1.0	1.1	1.2	1.3	1.41
Outrigger	Max-extended	kg	995	995	995	995
	Min-extended	kg	800	800	750	700

2

Second stage extended 1.73 - 3.01m boom length

Working radius	m up to	1.0	1.1	1.3	1.5	2.0	2.5	2.69
Outrigger	Max-extended	kg	995	995	995	995	800	650
	Min-extended	kg	800	800	700	600	410	285

3

Third stage extended 3.01 - 4.25m boom length

Working radius	m up to	1.0	1.8	2.0	2.5	2.8	3.0	3.5	3.93
Outrigger	Max-extended	kg	850	850	800	650	580	530	400
	Min-extended	kg	500	500	410	285	215	190	145

4

Fourth stage extended 4.25 - 5.49m boom length

Working radius	m up to	2.4	2.5	2.8	3.0	3.5	4.0	4.5	5.1	5.17
Outrigger	Max-extended	kg	660	660	580	530	410	330	270	210
	Min-extended	kg	350	360	320	220	190	145	105	80

* Rated loads for the URW-094 include 15kg 2-fall hook block.

Product specifications are subject to change without notice or obligation. The photographs and/or drawings in this document are for illustrative purposes only.