



# MC815

(8.0t x 2.4m)

Maeda Mini Crane

[www.hird.co.uk](http://www.hird.co.uk)



The Maeda MC815 is the largest Maeda mini crane with a huge 8 tonne lift capacity.

Offering pick and carry capacities of up to 1000kg and packed with the latest technology for safe and efficient lifting.

## 8.0t x 2.4m

### Technical Specification

Max. lifting capacity	8.0t x 2.4m
Lifting height	19.6m x 2,390kg
Max. working radius	18.8m x 340kg
Boom length	3.695 - 12.485m
Power source	Diesel or Electric
Weight	Diesel - MC815 C 9,460kg Electric - MC815 CRME 9,700kg

### Features include

- Multi-function touchscreen monitor
- 1t pick & carry duty
- Auto levelling / auto stow via remote
- Environmentally friendly EU compliant engine
- Optional 1.5t SWL hydraulic fly jib



CPCS - A66 Compact Crane A



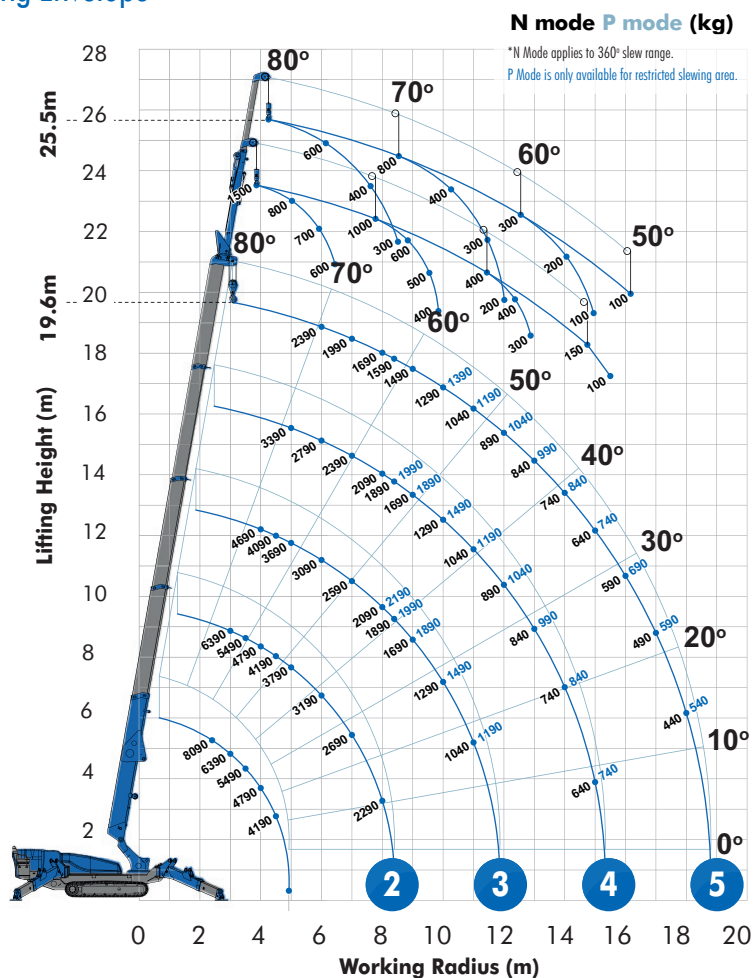
Northern  
01482 227333

Central  
01302 341659

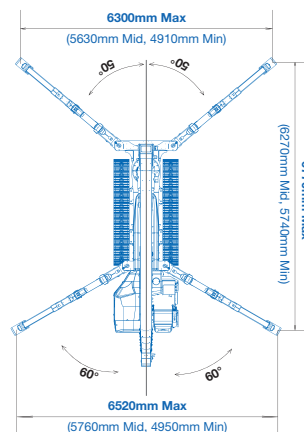
Western  
01384 900388

Southern  
0203 174 0658

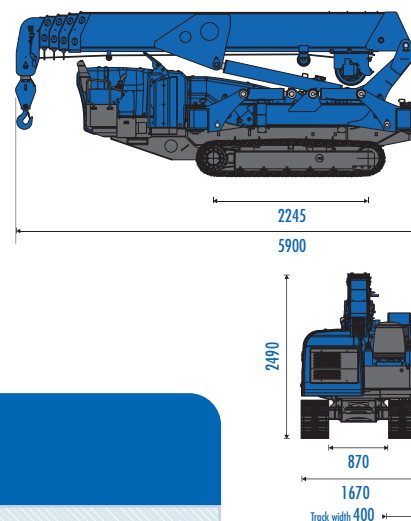
## Working Envelope



## Outrigger Positions



## Dimensions (mm)



## Rated Loads

### 2 Second stage extended 4.92 - 8.39m boom length

Working radius	m up to	2.4	2.5	3.0	3.5	4.0	4.5	4.92	5.0	6.0	7.0	8.0	8.39
Outrigger	N mode*	kg	6,390	6,390	6,390	5,490	4,790	4,190	3,790	3,790	3,190	2,690	2,090
Max-extended	P mode*	kg	6,390	6,390	6,390	5,490	4,790	4,190	3,790	3,790	3,190	2,690	2,090

### 3 Third stage extended 8.39 - 11.86m boom length

Working radius	m up to	2.4	2.5	3.0	3.5	4.0	4.5	4.92	5.0	6.0	7.0	8.0	8.39	9.0	10.0	11.0	11.86	
Outrigger	N mode*	kg	4,690	4,690	4,690	4,690	4,690	4,090	3,690	3,690	3,090	2,590	2,090	1,890	1,690	1,290	1,040	890
Max-extended	P mode*	kg	4,690	4,690	4,690	4,690	4,690	4,090	3,690	3,690	3,090	2,590	2,190	1,990	1,890	1,490	1,190	1,040

### 4 Fourth stage extended 11.86 - 15.33m boom length

Working radius	m up to	2.5	3.0	3.5	4.0	4.5	4.92	5.0	6.0	7.0	8.0	8.39	9.0
Outrigger	N mode*	kg	3,390	3,390	3,390	3,390	3,390	3,390	2,790	2,390	2,090	1,890	1,690
Max-extended	P mode*	kg	3,390	3,390	3,390	3,390	3,390	3,390	2,790	2,390	2,090	1,990	1,890

### 5 Third stage extended 15.33 - 18.8m boom length

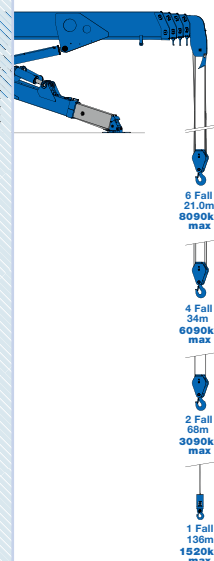
Working radius	m up to	10.0	11.0	11.86	12.0	13.0	14.0	15.0	15.33	
Outrigger	N mode*	kg	1,290	1,040	890	890	840	740	640	590
Max-extended	P mode*	kg	1,490	1,190	1,040	990	840	740	690	

### 5 Third stage extended 15.33 - 18.8m boom length

Working radius	m up to	3.5	4.0	4.5	4.92	5.0	6.0	7.0	8.0	8.39	9.0	10.0
Outrigger	N mode*	kg	2,390	2,390	2,390	2,390	2,390	1,990	1,690	1,590	1,490	1,290
Max-extended	P mode*	kg	2,390	2,390	2,390	2,390	2,390	1,990	1,690	1,590	1,490	1,390

Working radius	m up to	11.0	11.86	12.0	13.0	14.0	15.0	15.33	16.0	17.0	18.0	18.8	
Outrigger	N mode*	kg	1,040	890	890	840	740	640	590	590	490	440	340
Max-extended	P mode*	kg	1,190	1,040	1,040	990	840	740	690	690	590	540	440

## Max. Reach Below Ground Level



Product specifications are subject to change without notice or obligation. The photographs and/or drawings in this document are for illustrative purposes only.