



# MC405

(3.83t x 2.7m)

Maeda Mini Crane

[www.hird.co.uk](http://www.hird.co.uk)

The Maeda MC405 is a powerful mini crane with 3.83t lift capacity and a fly jib to extend working radius up to a maximum of 16m.

This mini crane has a useful 500kg pick and carry duty.



The Wirth Oktopus Glazing Manipulator is the perfect companion to the Maeda Mini Crane

## 3.83t x 2.7m

### Technical Specification

Max. lifting capacity	3.83t x 2.7m
Lifting height	16.8m x 1,130kg
Max. working radius	16.0m x 210kg
Boom length	4.735m - 16.475m
Power source	Diesel or Electric
Weight	Diesel - MC405 CRM 5,600kg Electric - MC405 CRME 5,750kg

### Features include

- 500kg pick & carry duty
- Rubber tracks
- Remote control
- Outrigger interlock system
- 850kg/500kg searcher hook



CPCS - A66 Compact Crane A



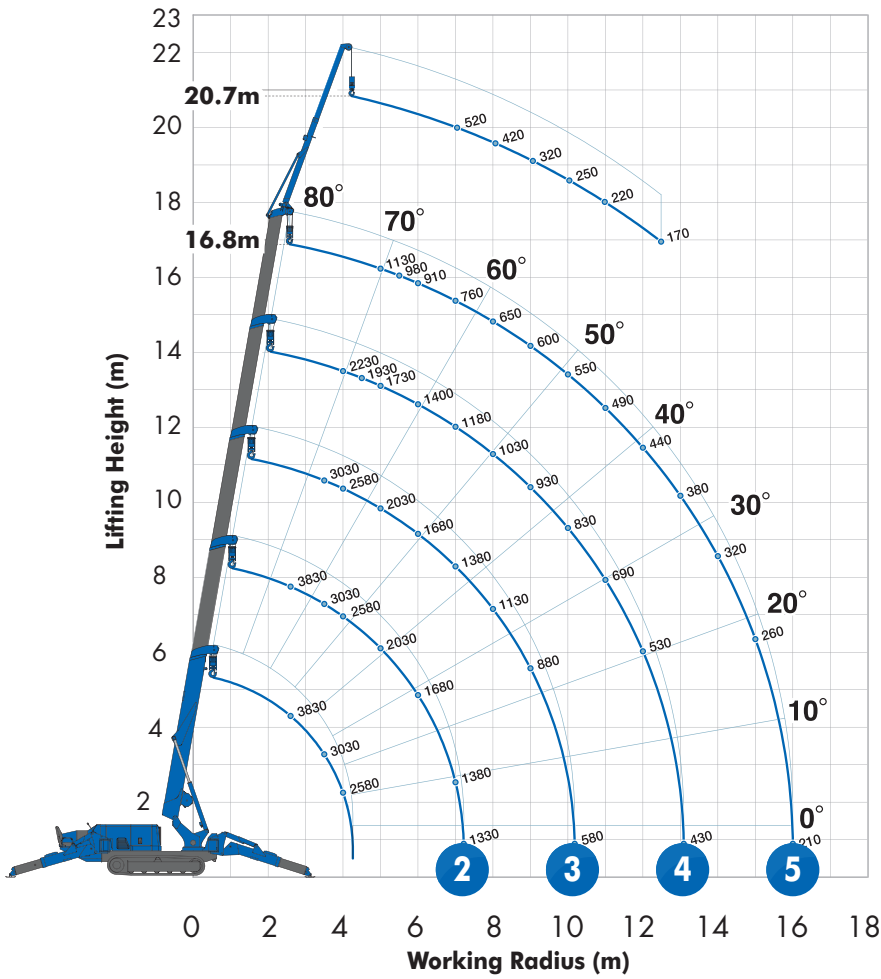
Northern  
01482 227333

Central  
01302 341659

Western  
01384 900388

Southern  
0203 174 0658

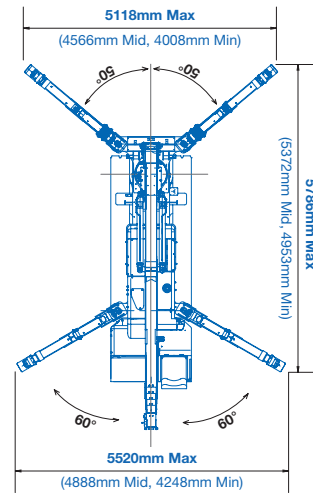
## Working Envelope



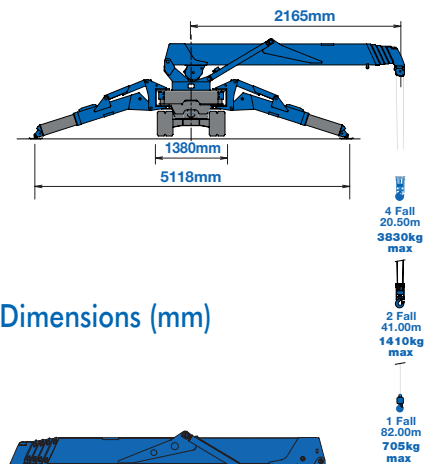
## Searcher Hook



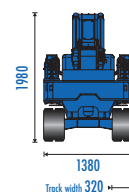
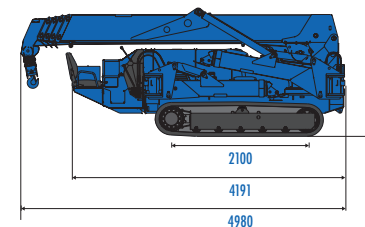
## Outrigger Positions



## Max. Reach Below Ground Level



## Dimensions (mm)



## Rated Loads

### 2 Second stage extended 4.735 - 7.695m boom length

Working radius	m up to	<2.0	3.5	4.0	5.0	6.0	7.0	7.25
Outrigger	Max-extended kg	3,830	3,030	3,580	2,030	1,680	1,380	1,330
	Mid-extended kg	3,830	3,030	3,580	1,880	1,430	1,160	1,120
	Min-extended kg	3,830	3,030	2,580	1,680	1,180	930	780

### 3 Third stage extended 7.695 - 10.665m boom length

Working radius	m up to	3.5	4.0	5.0	6.0	7.0	8.0	9.0	10.2
Outrigger	Max-extended kg	3,030	2,580	2,030	1,680	1,380	1,130	880	550
	Mid-extended kg	3,030	2,580	1,880	1,430	1,130	880	740	490
	Min-extended kg	3,030	2,580	1,680	1,180	880	730	580	400

### 4 Fourth stage extended 10.665 - 13.565m boom length

Working radius	m up to	4.0	4.5	5.0	6.0	7.0	8.0	9.0	10.0	11.0	12.0	13.1
Outrigger	Max-extended kg	2,230	1,930	1,730	1,400	1,180	1,030	930	830	690	530	430
	Mid-extended kg	2,230	1,830	1,630	1,330	1,080	880	730	530	480	430	330
	Min-extended kg	2,230	1,830	1,630	1,180	830	680	550	430	380	350	310

### 5 Fifth stage extended 13.565 - 16.475m boom length

Working radius	m up to	5	5.5	6.0	7.0	8.0	9.0	10.0	11.0	12.0	13.0	14.0	15.0	16.0
Outrigger	Max-extended kg	1,130	980	910	760	650	600	550	490	440	380	320	260	210
	Mid-extended kg	1,130	980	910	730	630	550	480	430	380	330	280	220	180
	Min-extended kg	1,130	980	880	730	530	450	420	370	330	280	240	190	150

Product specifications are subject to change without notice or obligation.  
The photographs and/or drawings in this document are for illustrative purposes only.