



MC305CB-3 ECO

(2.98t x 2.5m)

Maeda All Electric Mini Crane

www.hird.co.uk

The Maeda MC305CB-3 ECO is an all-new lithium battery electric mini crane.

Zero emissions, digital controls, and ideal for indoor and outdoor lifting up to 2.98t.



100% Electric

2.98t x 2.5m

Technical Specification

Max. lifting capacity	2.98t x 2.5m
Lifting height	12.52m x 790kg
Max. working radius	12.16m x 260kg
Boom length	3.695m - 12.485m
Power source	Battery 110v on-board charger
Weight	3,925kg

Features include

- 7" LMI display
- Variable outriggers
- Rubber tracks
- Remote control
- Low ground pressure
- Optional 850kg /1,500kg searcher hooks



100% Electric battery power



CPCS - A66 Compact Crane A



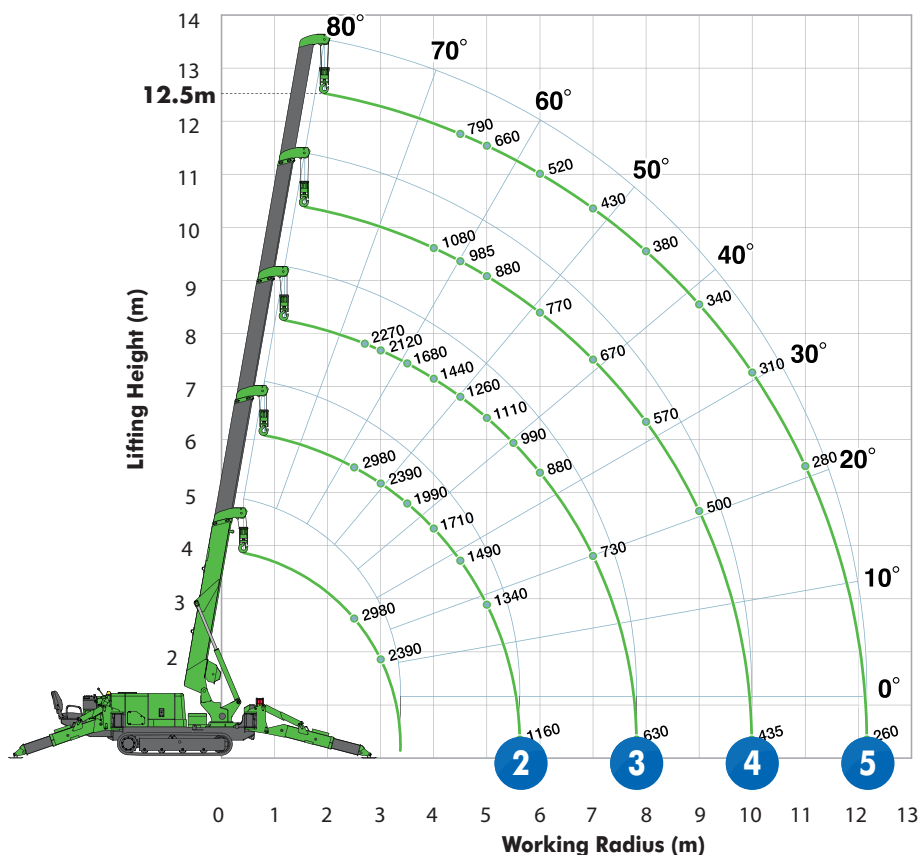
Northern
01482 227333

Central
01302 341659

Western
01384 900388

Southern
0203 174 0658

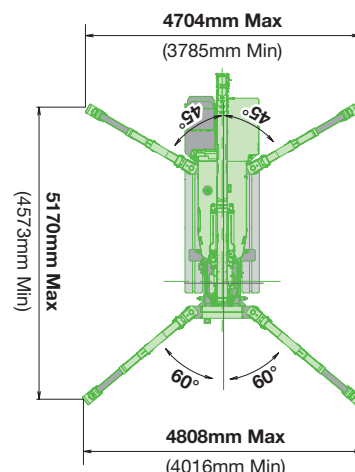
Working Envelope



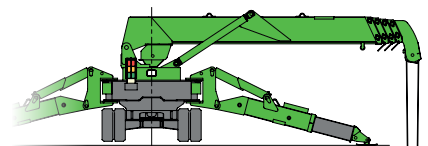
Searcher Hook



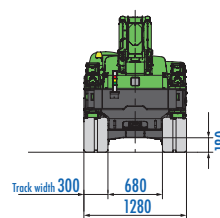
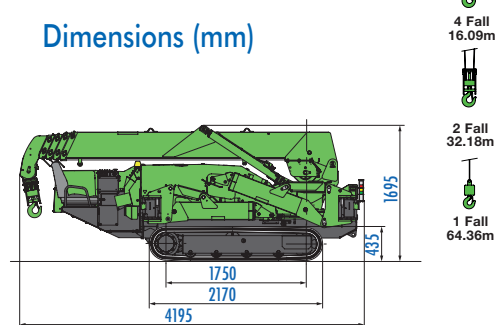
Outrigger Positions



Max. Reach Below Ground Level



Dimensions (mm)



Rated Loads

2 Second stage extended 3.70 - 5.945m boom length

Working radius	m up to	<2.5	3.0	3.5	4.0	4.5	5.0	5.62
Outrigger Max-extended	kg	2,980	2,390	1,990	1,710	1,490	1,340	1,160
Mid-extended	kg	2,980	2,360	1,960	1,680	1,380	1,140	950
Min-extended	kg	2,980	2,350	1,800	1,430	1,140	950	790

3 Third stage extended 5.945 - 8.145m boom length

Working radius	m up to	2.7	3.0	3.5	4.0	4.5	5.0	5.5	6.0	7.0	7.82
Outrigger Max-extended	kg	2,270	2,120	1,680	1,440	1,260	1,100	990	880	730	630
Mid-extended	kg	2,270	2,090	1,680	1,420	1,240	1,070	950	800	610	520
Min-extended	kg	2,270	2,090	1,680	1,370	1,120	910	790	670	510	430

4 Fourth stage extended 8.145 - 10.315m boom length

Working radius	m up to	4.0	4.5	5.0	6.0	7.0	8.0	9.0	9.99
Outrigger Max-extended	kg	1,080	985	880	770	670	570	500	435
Mid-extended	kg	1,060	950	860	750	630	490	410	350
Min-extended	kg	1,060	950	860	680	530	420	340	300

5 Fifth stage extended 10.315 - 12.485m boom length

Working radius	m up to	<4.5	5.0	6.0	7.0	8.0	9.0	10.0	11.0	12.16
Outrigger Max-extended	kg	790	660	520	430	380	340	310	280	260
Mid-extended	kg	780	650	500	410	360	320	290	260	250
Min-extended	kg	780	650	500	410	360	320	290	240	210

Product specifications are subject to change without notice or obligation. The photographs and/or drawings in this document are for illustrative purposes only.

100% Electric