

HIRD

Est. 1983
Celebrating 40 Years

www.hird.co.uk

The Maeda MC285-2 has a narrow 750mm stowed width enabling it to fit through most standard doorways.

With an impressive 2.82t lift capacity and optional 850kg searcher hook, this mini crane is perfect for glazing jobs.



The Wirth Oktopus Glazing Manipulator is the perfect companion to the Maeda Mini Crane

MC285-2

(2.82t x 1.4m)

Maeda Mini Crane



2.82t x 1.4m

Technical Specification

Max. lifting capacity	2.82t x 1.4m
Lifting height	8.7m x 550kg
Max. working radius	8.2m x 150kg
Boom length	2.535m - 8.575m
Power source	Various
Weight	Diesel - MC285 CRM 1,770kg Electric - MC285 CRME 1,950kg

Features include

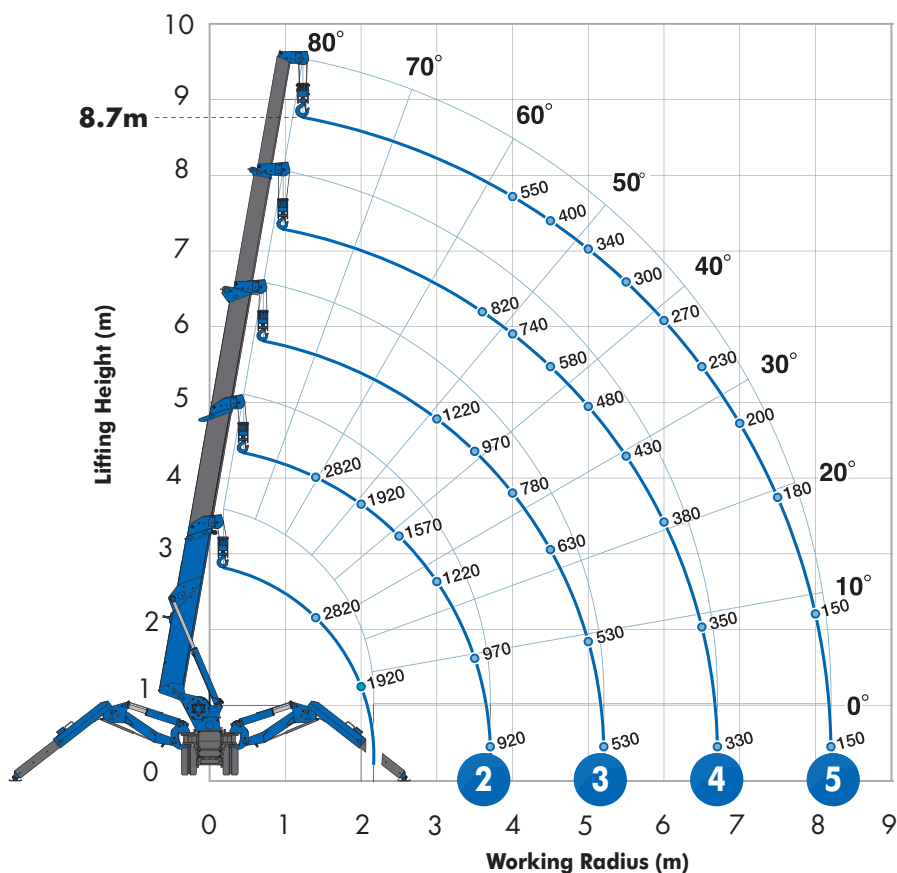
- Programmable moment limiter
- Tilt sensor / alarm
- Remote control
- Will go through single doorway
- Low ground pressure
- Optional 850kg searcher hook



CPCS - A66 Compact Crane A



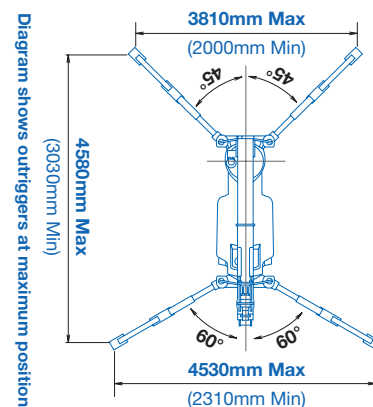
Working Envelope



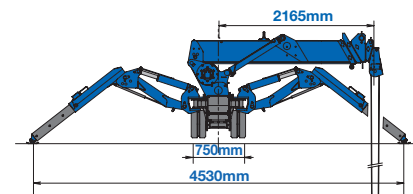
Searcher Hook



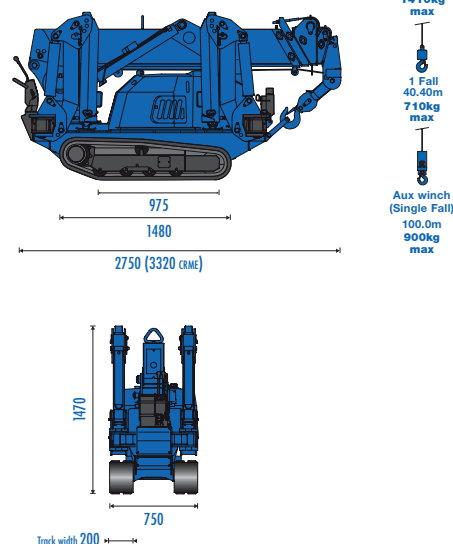
Outrigger Positions



Max. Reach Below Ground Level



Dimensions (mm)



Rated Loads

2 Second stage extended 2.53 - 4.075m boom length

Working radius	m up to	<1.4	1.5	2.0	2.5	3.0	3.5	3.705	
Outrigger	Max-extended	kg	2,820	2,520	1,920	1,570	1,220	970	920
	any other position	kg	n/a	1,720	1,070	630	520	430	350

3 Third stage extended 4.075 - 5.575m boom length

Working radius	m up to	<3.0	3.5	4.0	4.5	5.0	5.205	
Outrigger	Max-extended	kg	1,220	970	780	630	530	530
	any other position	kg	510	410	330	280	230	200

4 Fourth stage extended 5.575- 7.075m boom length

Working radius	m up to	<3.6	4.0	4.5	5.0	5.5	6.0	6.5	6.705	
Outrigger	Max-extended	kg	820	740	580	480	430	380	350	330
	any other position	kg	400	330	280	230	180	160	150	140

5 Fifth stage extended 7.075 - 8.575m boom length

Working radius	m up to	<3.6	4.5	5.0	5.5	6.0	6.5	7.0	7.5	8.0	8.2	
Outrigger	Max-extended	kg	550	400	340	300	270	230	200	180	150	150
	any other position	kg	330	280	230	180	160	150	100	80	70	60

Product specifications are subject to change without notice or obligation.
The photographs and/or drawings in this document are for illustrative purposes only.