



MC174

(1.72t x 1m)

Maeda Mini Crane

www.hird.co.uk

The Maeda MC174 sets the standard that other mini cranes try to achieve.

Its super slim width of 590mm coupled with its 1.72 ton lifting capacity make it absolutely unparalleled.



1.72t x 1m

Technical Specification

Max. lifting capacity	1.72t x 1m
Lifting height	5.5m x 770kg
Max. working radius	5.17m x 220kg
Boom length	1.83m - 5.5m
Power source	Diesel or Electric Mains
Weight	1,290kg

Features include

- Super slim body width (590mm)
- Rubber tracks
- Remote control
- Low ground pressure
- Optional 300kg searcher hook



CPCS - A66 Compact Crane A



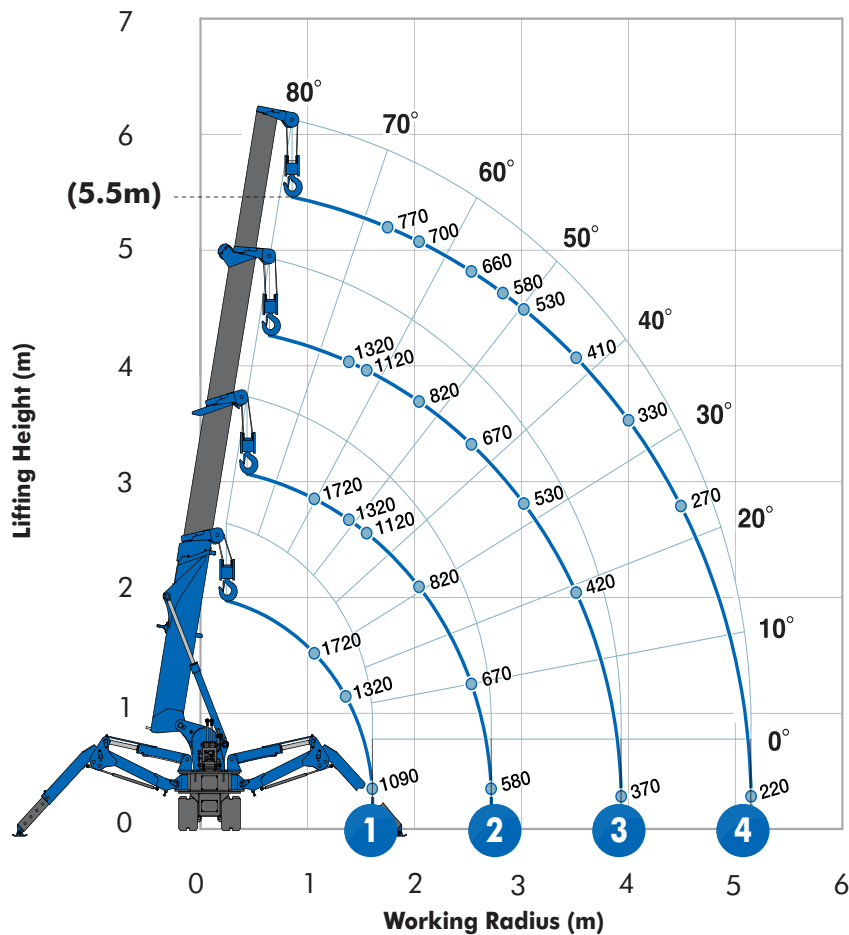
Northern
01482 227333

Central
01302 341659

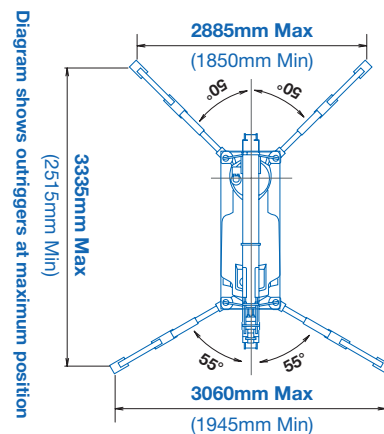
Western
01384 900388

Southern
0203 174 0658

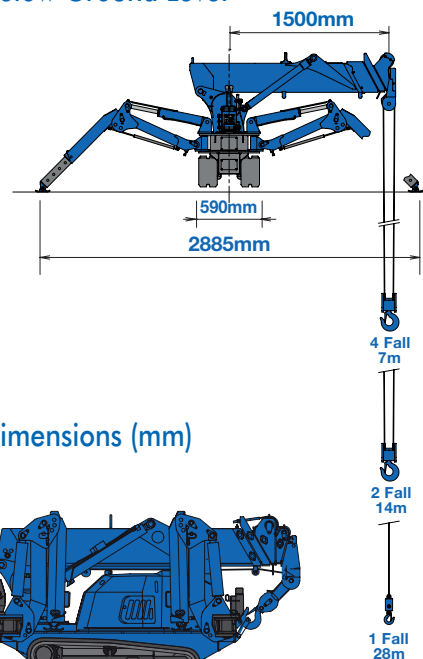
Working Envelope



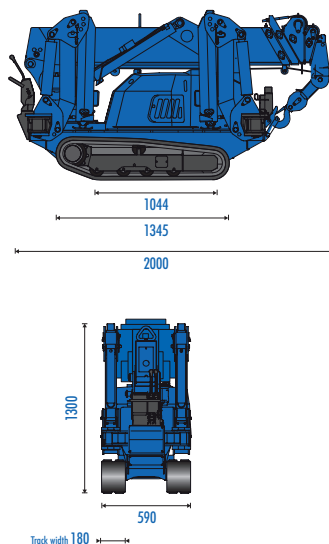
Outrigger Positions



Max. Reach Below Ground Level



Dimensions (mm)



Rated Loads

1 First stage extended 1.83 - 2.97m boom length

Working radius	m up to	<1.0	1.30	1.55
Outrigger Max-extended	kg	1,720	1,320	1,090
Min-extended	kg	1,220	940	790

2 Second stage extended 2.97 - 4.21m boom length

Working radius	m up to	<1.0	1.30	1.50	2.0	2.50	2.69
Outrigger Max-extended	kg	1,720	1,320	1,120	820	670	580
Min-extended	kg	1,220	940	810	600	390	310

3 Third stage extended 4.21 - 5.45m boom length

Working radius	m up to	<1.3	1.50	2.0	2.50	3.0	3.50	3.93
Outrigger Max-extended	kg	1,320	1,120	820	670	530	420	370
Min-extended	kg	940	810	600	390	300	220	180

4 Fourth stage extended 5.45 - 5.5m boom length

Working radius	m up to	<1.7	2.0	2.50	2.80	3.0	3.50	4.0	4.50	5.17
Outrigger Max-extended	kg	770	700	660	580	530	410	330	270	220
Min-extended	kg	720	600	390	330	300	220	180	140	100

Product specifications are subject to change without notice or obligation. The photographs and/or drawings in this document are for illustrative purposes only.