



CC985S-1

(4.9t x 2.1m)

Maeda Crawler Crane

www.hird.co.uk

Flexible and productive, the CC985 crawler crane delivers excellent lifting performance across rough terrain without the need for outriggers.

With a 16.5m working height, 7" multi function monitor and a massive 2,000kg pick and carry capacity, this crane offers safe and comfortable operations coupled with great lifting duties.



4.9t x 2.1m

Technical Specification

Max. lifting capacity	4.9t x 2.1m
Lifting height	16.5m x 1,400kg with Fly-Jib 20.2m x 430kg
Max. working radius	14.67m x 200kg
Boom length	4.78m - 15.78m
Power source	Diesel
Weight	9,450kg with Fly-Jib 9,630kg

Features include

- Optional Fly Jib Attachment
- 2,000kg Pick & Carry Duty
- 7 inch Multi Monitor
- Rear View Camera
- Automatic Pentagonal 5-Section Boom



CPCS - A66D - 360 Pick & Carry



Northern
01482 227333

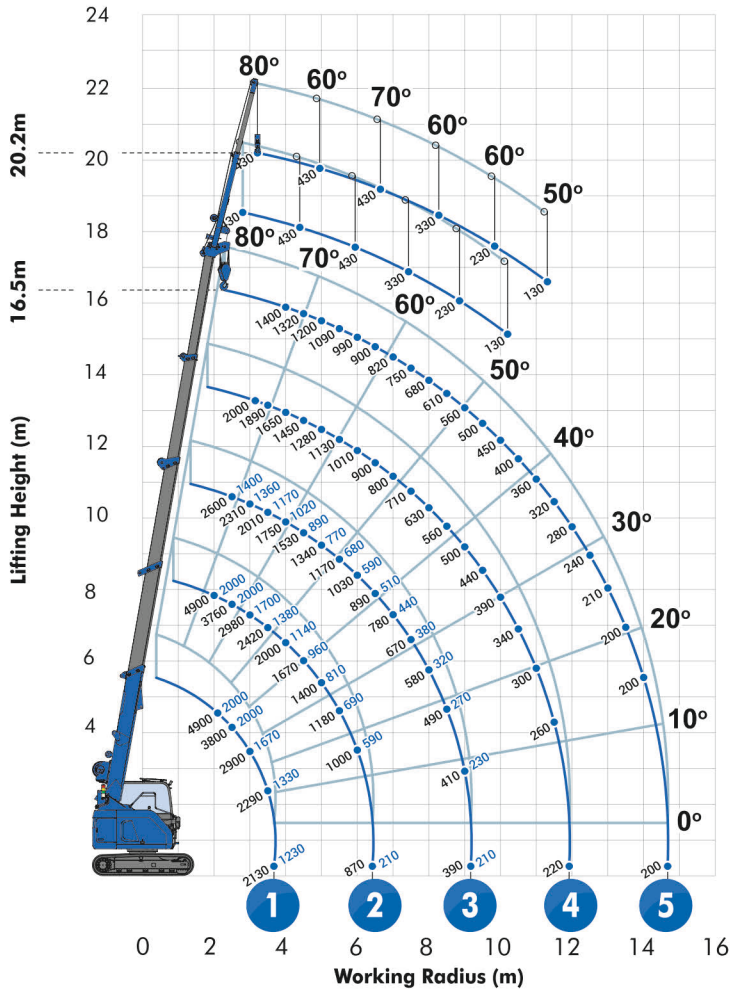
Central
01302 341659

Western
01384 900388

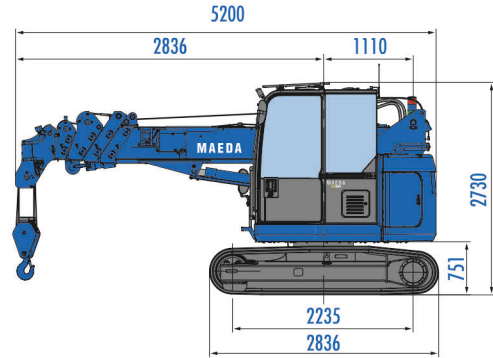
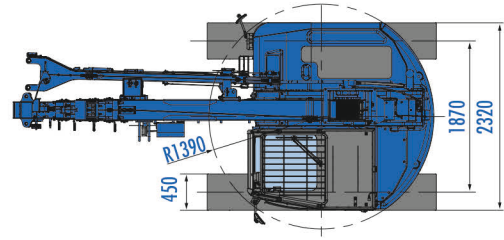
Southern
0203 174 0658

Working Envelope

Stationary Pick and Carry (kg)



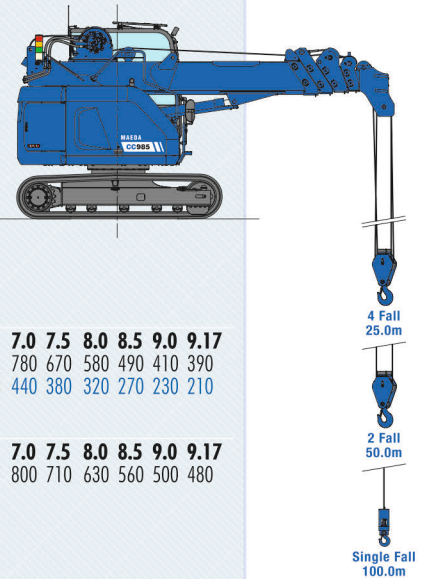
Dimensions (mm)



Max. Reach
Below Ground
Level

Rated Loads

Stage	Boom Length (m)	Working Radius (m)	Stationary (kg)	Pick and Carry (kg)
1	First stage extended 3.67 - 4.78m boom length	m up to 2.0	4,900	2,000
		2.1	4,900	2,000
		2.5	3,800	2,000
		2.7	3,310	1,950
		3.0	2,900	1,670
2	Second stage extended 4.78 - 7.53m boom length	m up to 2.0	4,900	2,000
		2.1	4,630	2,000
		2.5	3,760	2,000
		2.7	3,410	1,940
		3.0	2,980	1,700
		3.15	2,800	1,590
		3.5	2,420	1,380
		3.67	2,270	1,290
		4.0	2,000	1,140
		4.5	1,670	960
3	Third stage extended 7.53 - 10.28m boom length	m up to 2.0	2,600	1,400
		2.1	2,600	1,400
		2.5	2,600	1,400
		2.7	2,520	1,400
		3.0	2,310	1,360
		3.15	2,220	1,300
		3.5	2,010	1,170
		3.67	1,920	1,120
		4.0	1,750	1,020
		4.5	1,530	890
		5.0	1,340	770
		5.5	1,170	680
		6.0	1,030	590
		6.42	910	520
		4	Fourth stage extended 10.28 - 13.03m boom length	m up to 2.0
2.1	2,000			390
2.5	2,000			340
2.7	2,000			300
3.0	2,000			260
3.15	1,890			220
3.5	1,890			220
3.67	1,880			240
4.0	1,650			210
4.5	1,450			200
5.0	1,280			200
5.5	1,130			200
6.0	1,010			200
6.42	910			200
5	Fourth stage extended 13.03 - 15.78m boom length			m up to 2.5
		2.7	1,400	450
		3.0	1,400	400
		3.15	1,400	360
		3.5	1,400	320
		3.67	1,400	280
		4.0	1,400	280
		4.5	1,320	240
		5.0	1,200	210
		5.5	1,090	200
		6.0	990	200
		6.42	920	200
		7.0	900	200
		7.5	820	200



Product specifications are subject to change without notice or obligation.
The photographs and/or drawings in this document are for illustrative purposes only.