

# HIRD

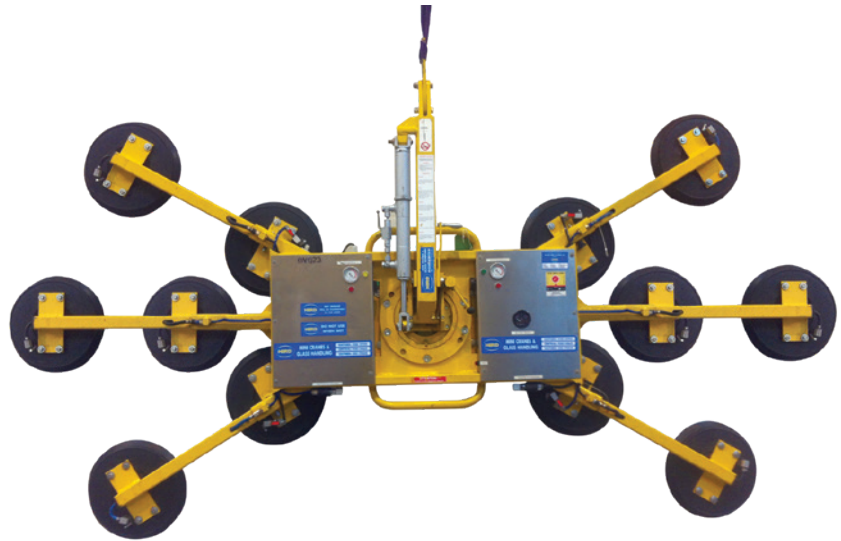
## DSZ2 (900kg)

Dual Circuit Slimline Vacuum Lifter

[www.hird.co.uk](http://www.hird.co.uk)

Hird's DSZ2 is the UK's slimmest vacuum lifter currently available today. Now with two additional extension arms to lift an impressive 900kg.

- Narrow depth of just 180mm for tight working environments
- Wheeled stand
- Low vacuum alert
- Hydraulically assisted tilt as standard
- Cabled remote control (2016 model onwards)



4 x extension arms with pads



Wheeled stand



Wired remote control

## 900kg

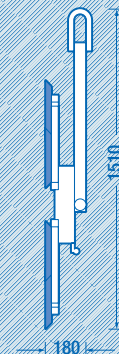
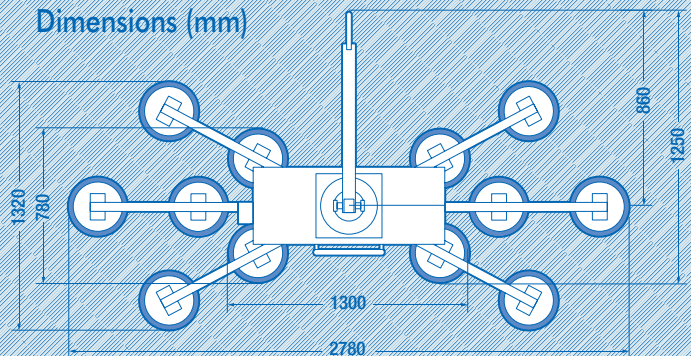
 360° continuous rotation

 90° tilt

### Technical Specification

Max. lifting capacity	900kg	750kg	450kg
Weight of lifter	140kg	125kg	105kg
Number of suction cups	12	10	6
Suction cup dimension	330mm Ø		
Structural depth	180mm		
Power source incl. charger	Battery (110v on-board charger)		

### Dimensions (mm)



RTITB - accredited vacuum course



Product specifications are subject to change without notice or obligation. The photographs and/or drawings in this document are for illustrative purposes only.

**Northern**  
01482 227333

**Central**  
01302 341659

**Western**  
01384 900388

**Southern**  
0203 174 0658