

20E/D TRX

Pick & Carry Crane

The Valla 20 TRX pick and carry crane can be supplied in two power formats:

- Valla 20E - powered by zero emission electric batteries
- Valla 20D - has a low emission diesel engine.



2,000kg



Technical specification

Max. lifting capacity	2,000kg
Max. working height	4.0m
Max. working radius	2.6m
Capacity @ max. height	800kg
Capacity @ max. radius	400kg
Power source	(20E TRX) Battery / (20D TRX) Diesel
Charger type / Ampage	110v / 16A
Total machine weight	(20E TRX) 2,100kg / (20D TRX) 1,900kg

Features include

- Non-marking tracks
- Wired remote control
- Hydraulic winch and hook block



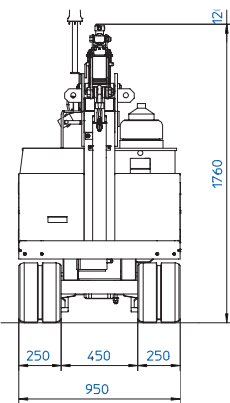
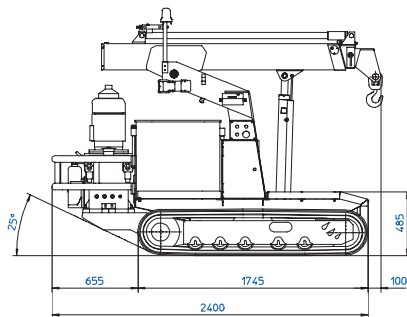
CPCS - A66 Compact Crane B



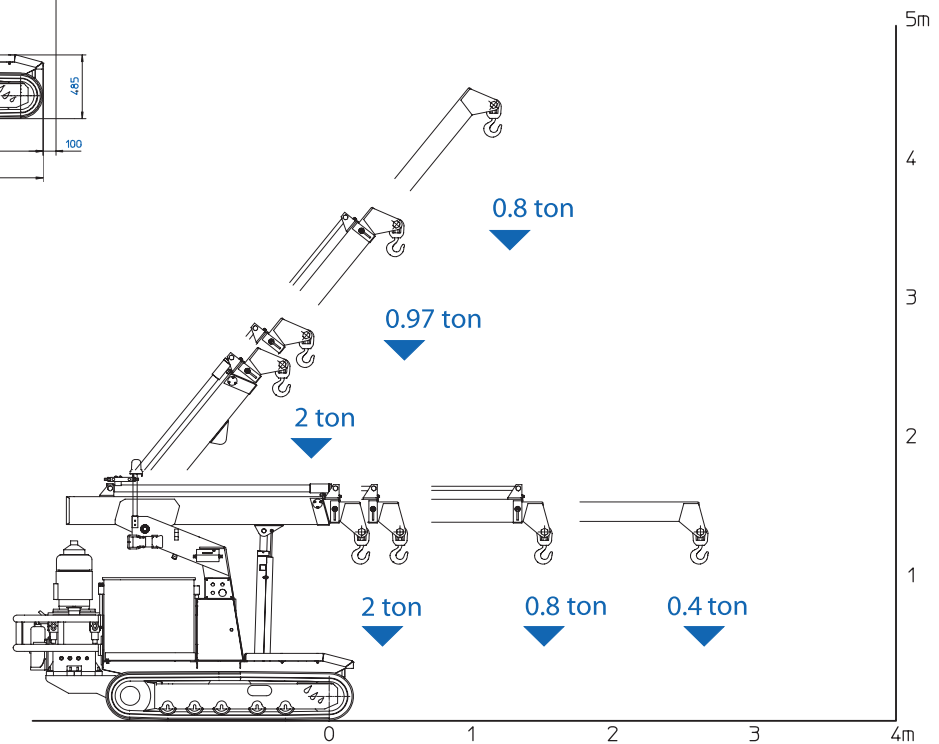


Tracks enable this crane be manoeuvred across busy, congested sites or on to landscaped ground areas

Dimensions (mm)



Working Envelope



Product specifications are subject to change without notice or obligation. The photographs and/or drawings in this document are for illustrative purposes only.