

180ES

Pick & Carry Crane

The Valla 180ES mini crane is arguably one of the most flexible machines in our mini crane hire fleet – because often it can be used in place of larger and more expensive static or mobile cranes.



 **100% Electric**

18,000kg



Technical specification

Max. lifting capacity	18,000kg
Max. working height	13.0m
Max. working radius	9.8m
Capacity @ max. height	2,900kg
Capacity @ max. radius	1,500kg
Power source	Battery
Charger type / Ampage	415v / 32A
Total machine weight	19,000kg

Features include

- Non-marking tyres
- Enclosed cabin
- Optional fly jib



Optional Fly Jib attachment available

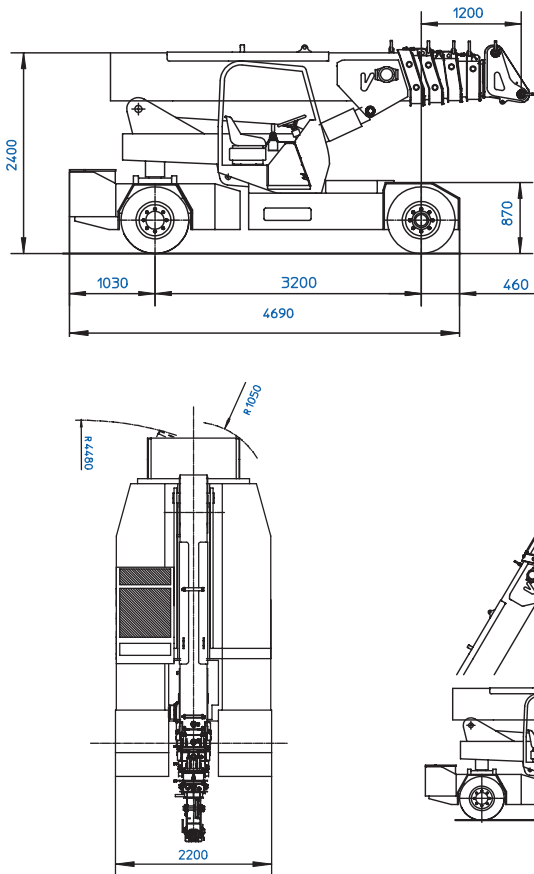


CPCS - A66 Compact Crane B
+ Product Familiarisation



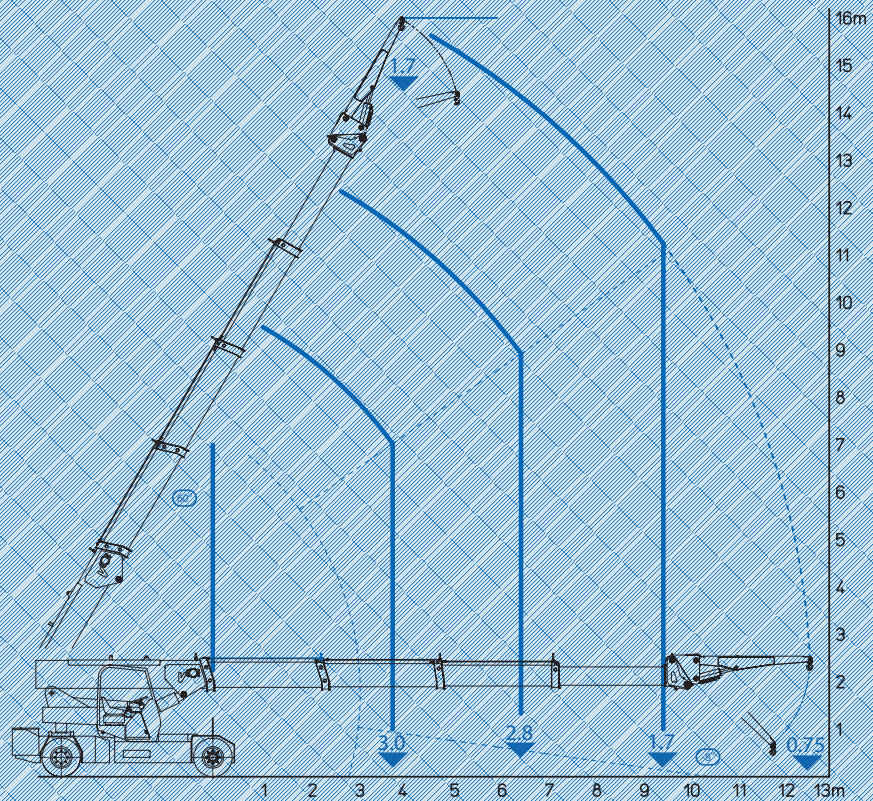
Dimensions (mm)

Working Envelope



Fly Jib specifications

- Max. lifting capacity 3,000kg
- Max. working height 15.8m
- Max. working radius 12.5m
- Capacity @ max. height 1,700kg
- Capacity @ max. radius 750kg



Product specifications are subject to change without notice or obligation. The photographs and/or drawings in this document are for illustrative purposes only.