

120E Pick & Carry Crane

The Valla 120E pick and carry crane is just as much at home lifting indoors as outdoors.

Its non-marking tyres and articulating rear axle allows it to move around congested clean environments with ease.



 **100% Electric**

12,000kg



Technical specification

Max. lifting capacity	12,000kg
Max. working height	9.8m
Max. working radius	7.6m
Capacity @ max. height	1,900kg
Capacity @ max. radius	1,800kg
Power source	Battery
Charger type / Ampage	415v / 32A
Total machine weight	14,000kg

Features include

- Non-marking tyres
- Enclosed cabin
- Optional fly jib



**Optional Fly Jib
attachment available**

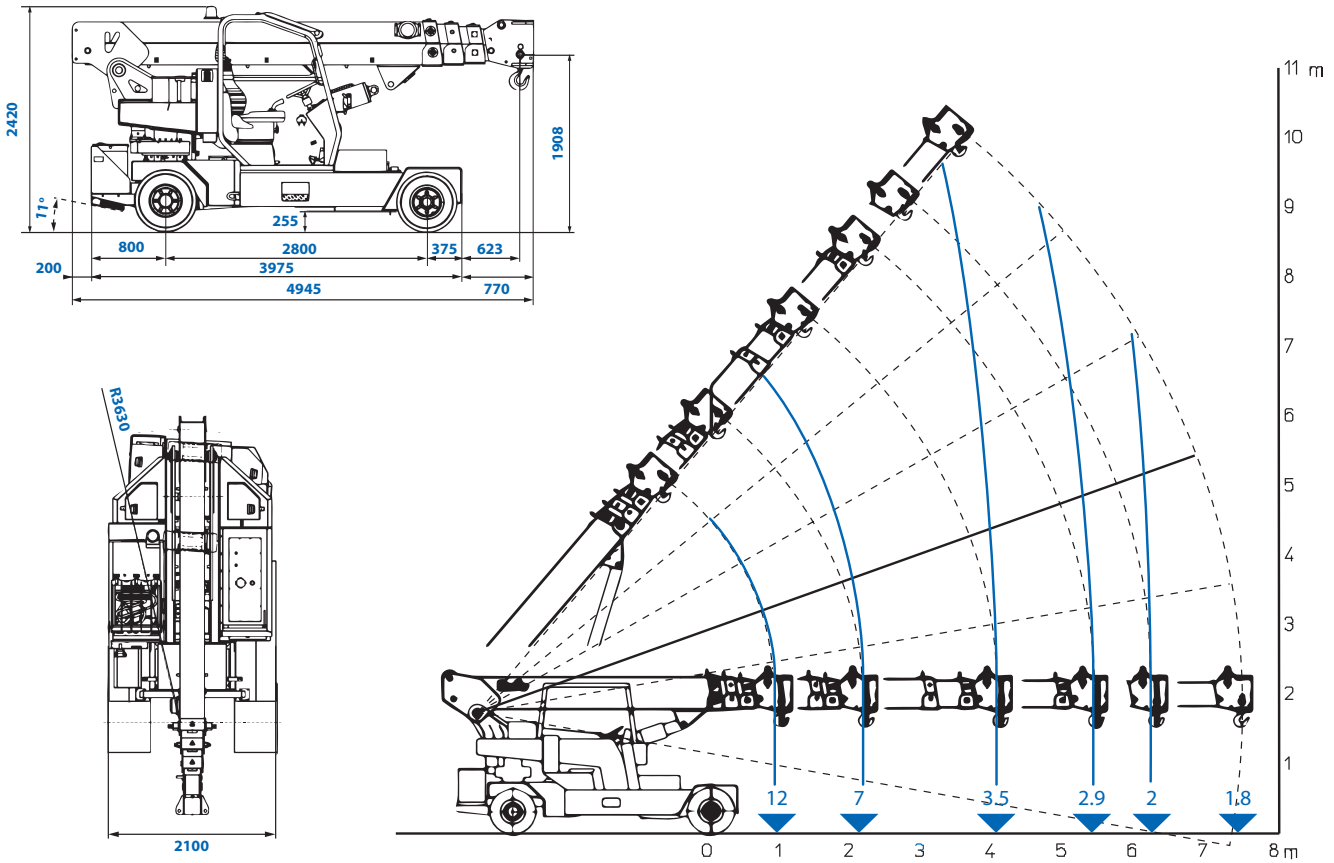


CPCS - A66 Compact Crane B
+ Product Familiarisation



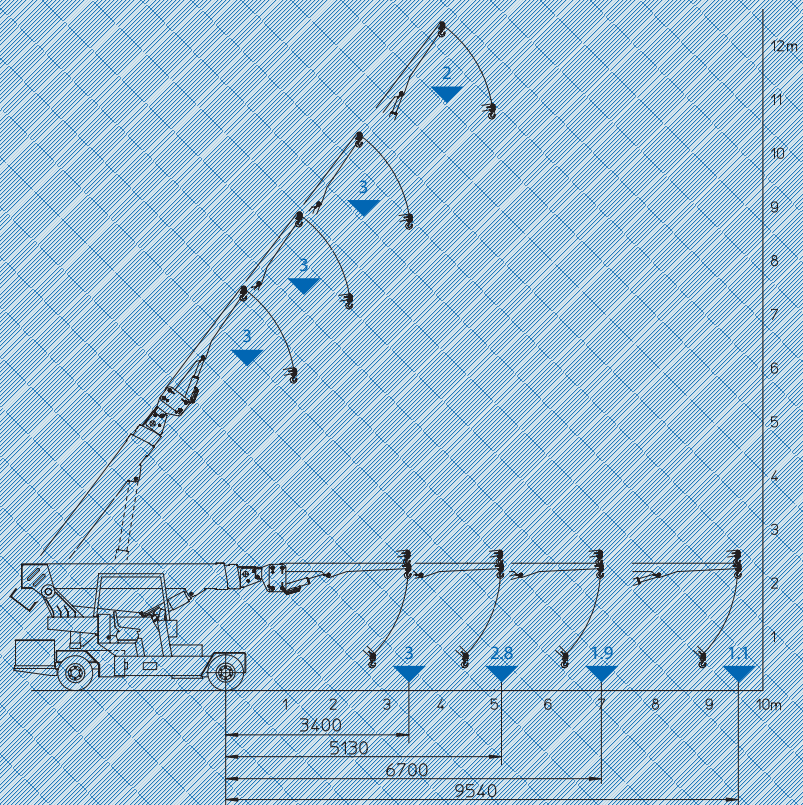
Dimensions (mm)

Working Envelope



Fly Jib specifications

- Max. lifting capacity 3,000kg
- Max. working height 12.2m
- Max. working radius 9.5m
- Capacity @ max. height 2,000kg
- Capacity @ max. radius 1,100kg



Product specifications are subject to change without notice or obligation. The photographs and/or drawings in this document are for illustrative purposes only.