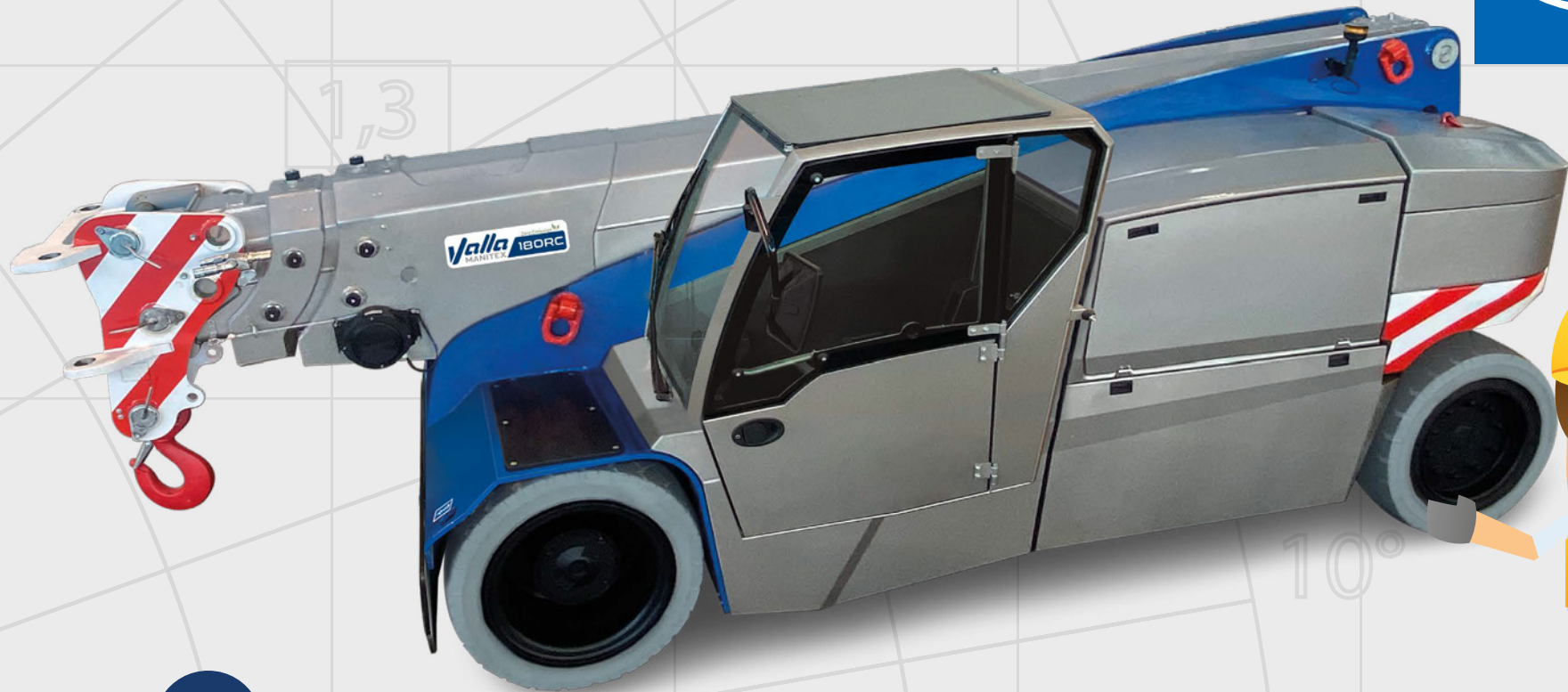


Valla
MANITEX

HIRD



V180RC

18ton (SWL) Electric Pick & Carry Crane

⚡ 100% Electric

Product Details

V180RC

18ton (SWL) Electric Pick & Carry Crane

100% Electric

Crane available to hire in

Fixed Hook or Winch & Hook block

Cabin operated and or Wireless remote control

- | Front Stabilisers
- | Non-Marking Tyres
- | 12,000kg Fly Jib
- | Machine Weight 23,300g (subject to attachments)



*V180RC + Fly Jib



CPCS A66 Compact Crane
(B. Mobile Industrial)



Wireless remote control



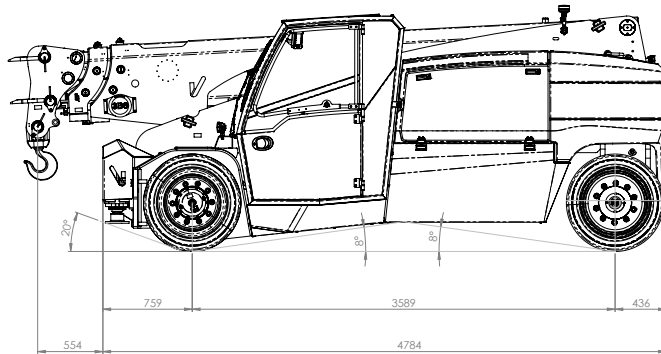
Load monitoring

V180RC

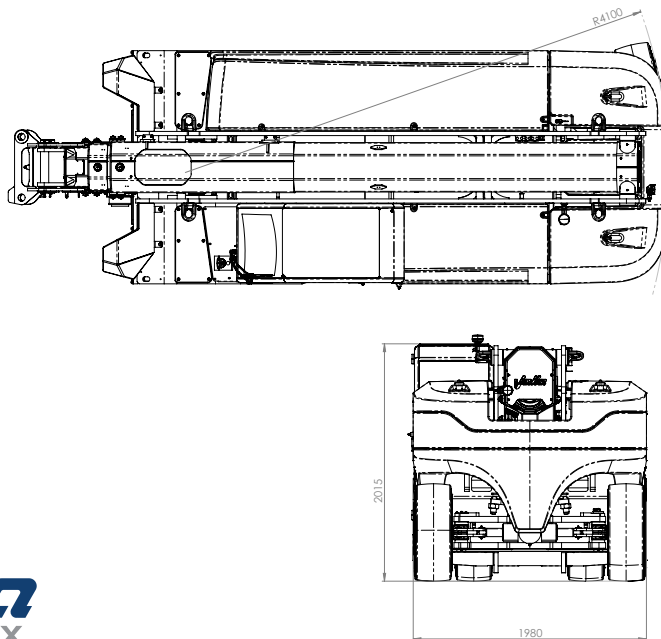
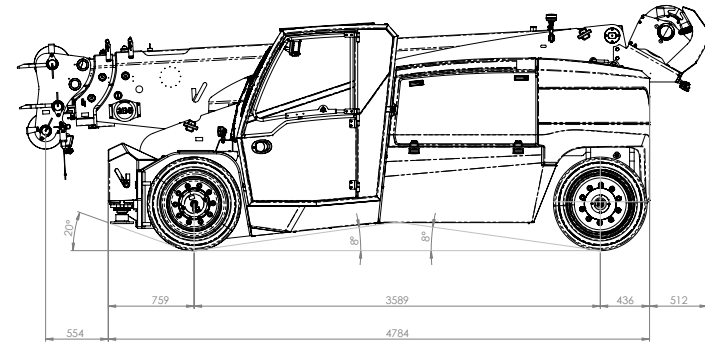
18ton (SWL) Electric Pick & Carry Crane

⚡ 100% Electric

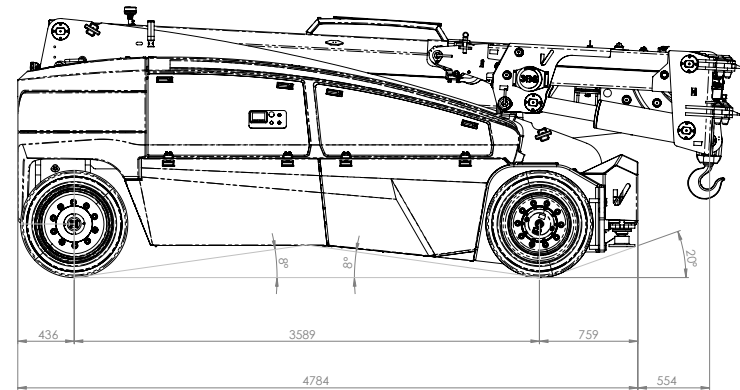
Fixed Hook - Dimensions



Winch & Hook Block - Dimensions



Fly Jib - Dimensions

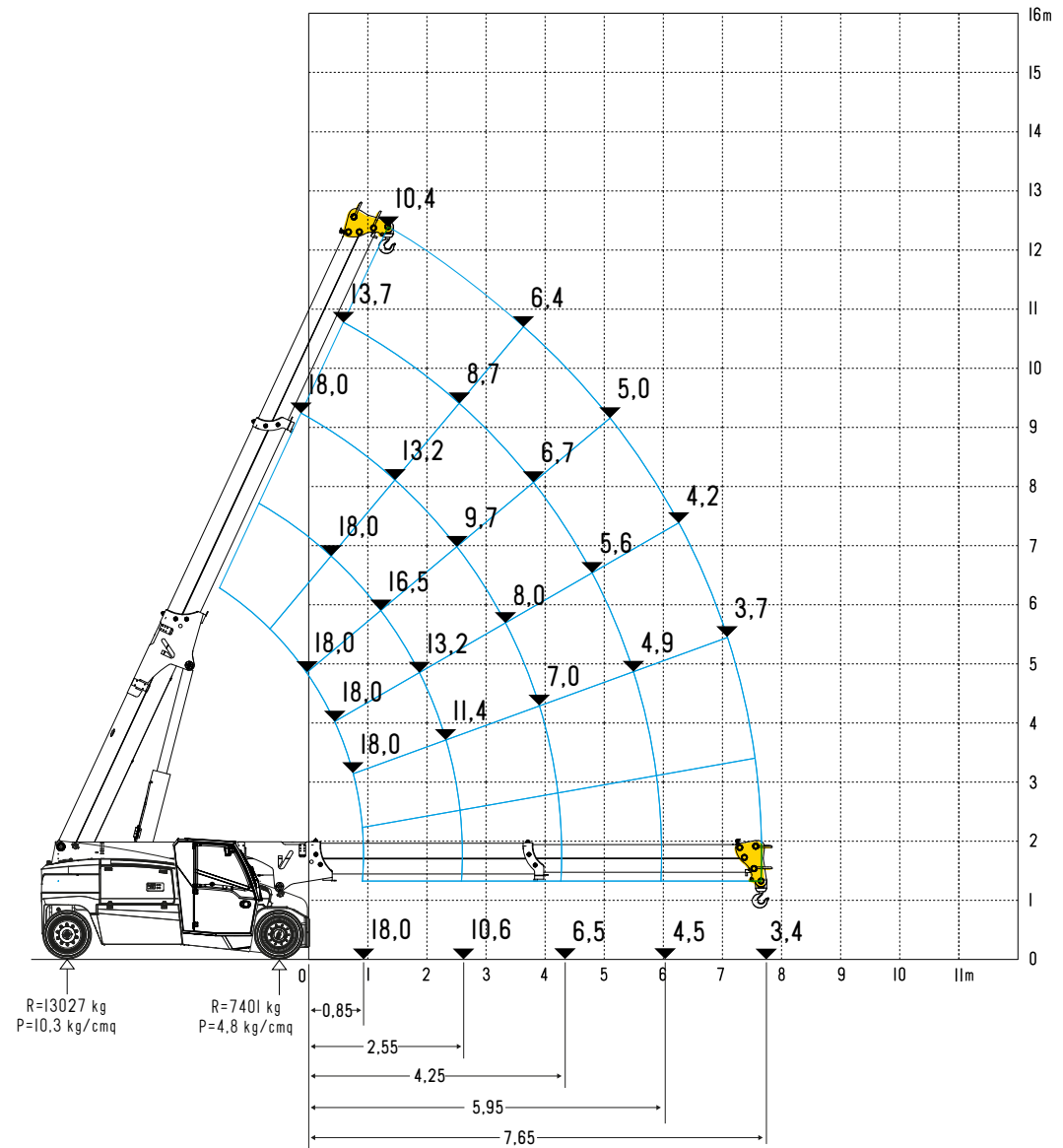


V180RC

18ton (SWL) Electric Pick & Carry Crane

⚡ 100% Electric

Free on wheels - Jib head position 1

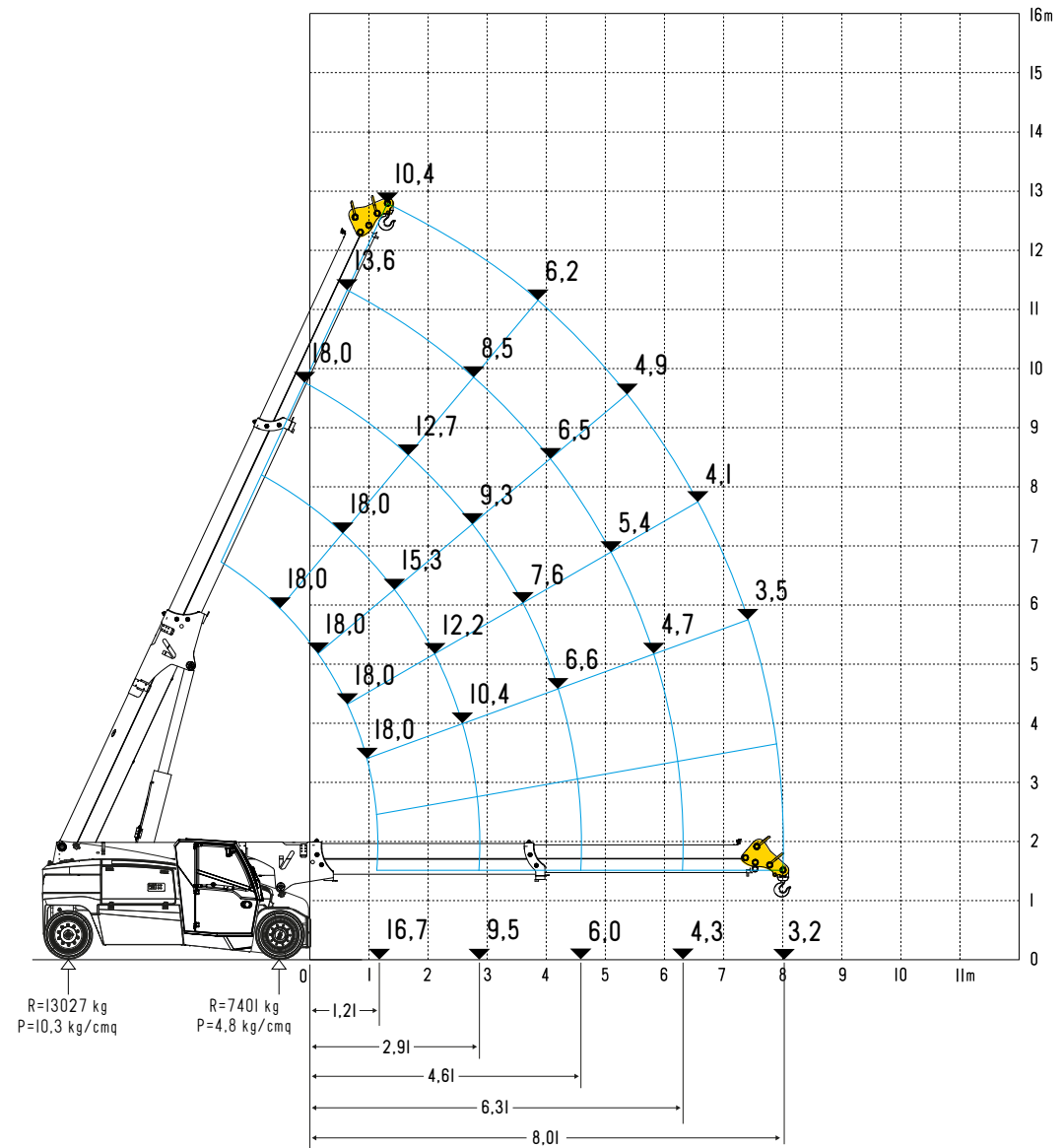


V180RC

18ton (SWL) Electric Pick & Carry Crane

⚡ 100% Electric

Free on wheels - Jib head position 2

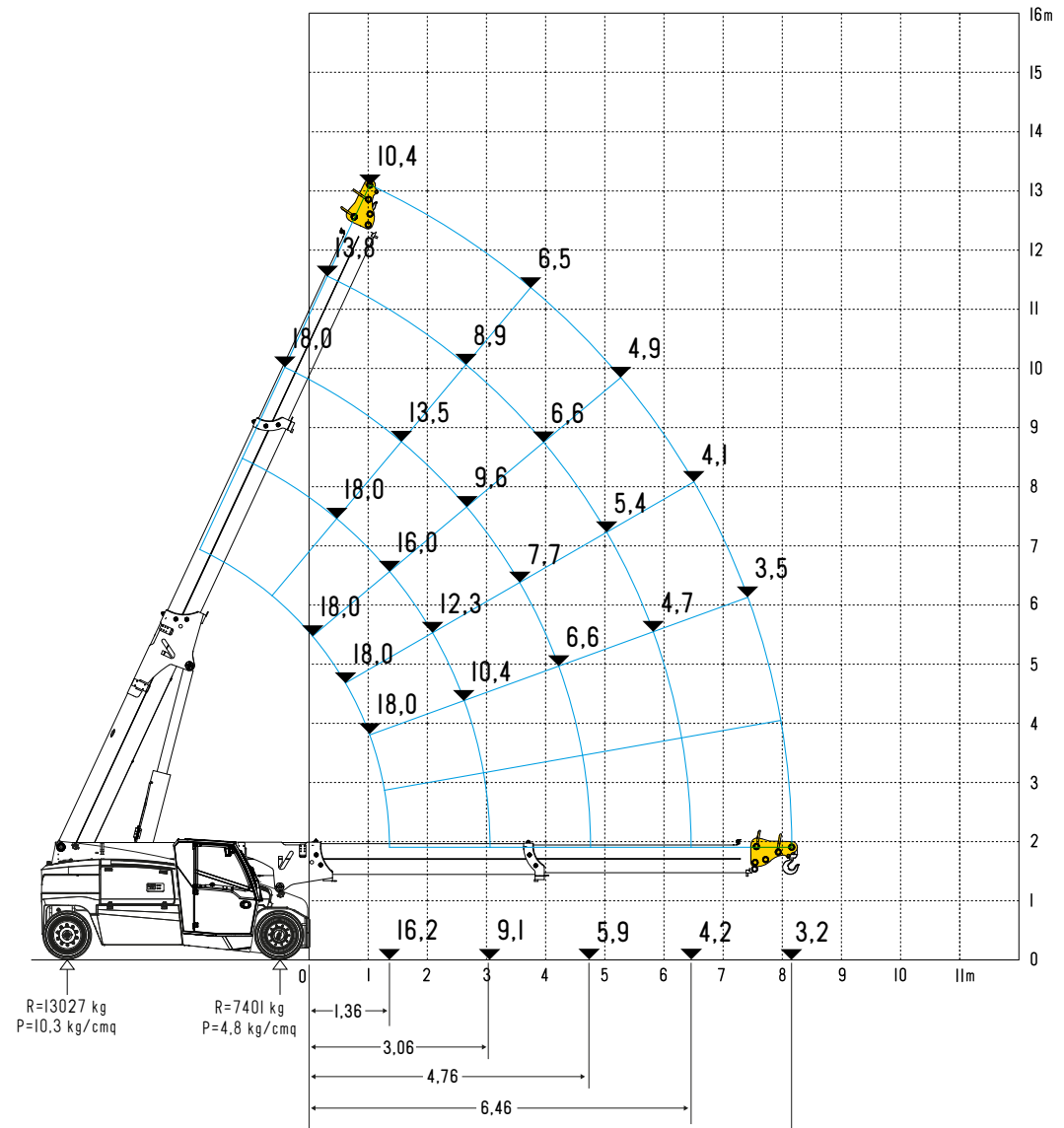


V180RC

18ton (SWL) Electric Pick & Carry Crane

⚡ 100% Electric

Free on wheels - Jib head position 3



V180RC

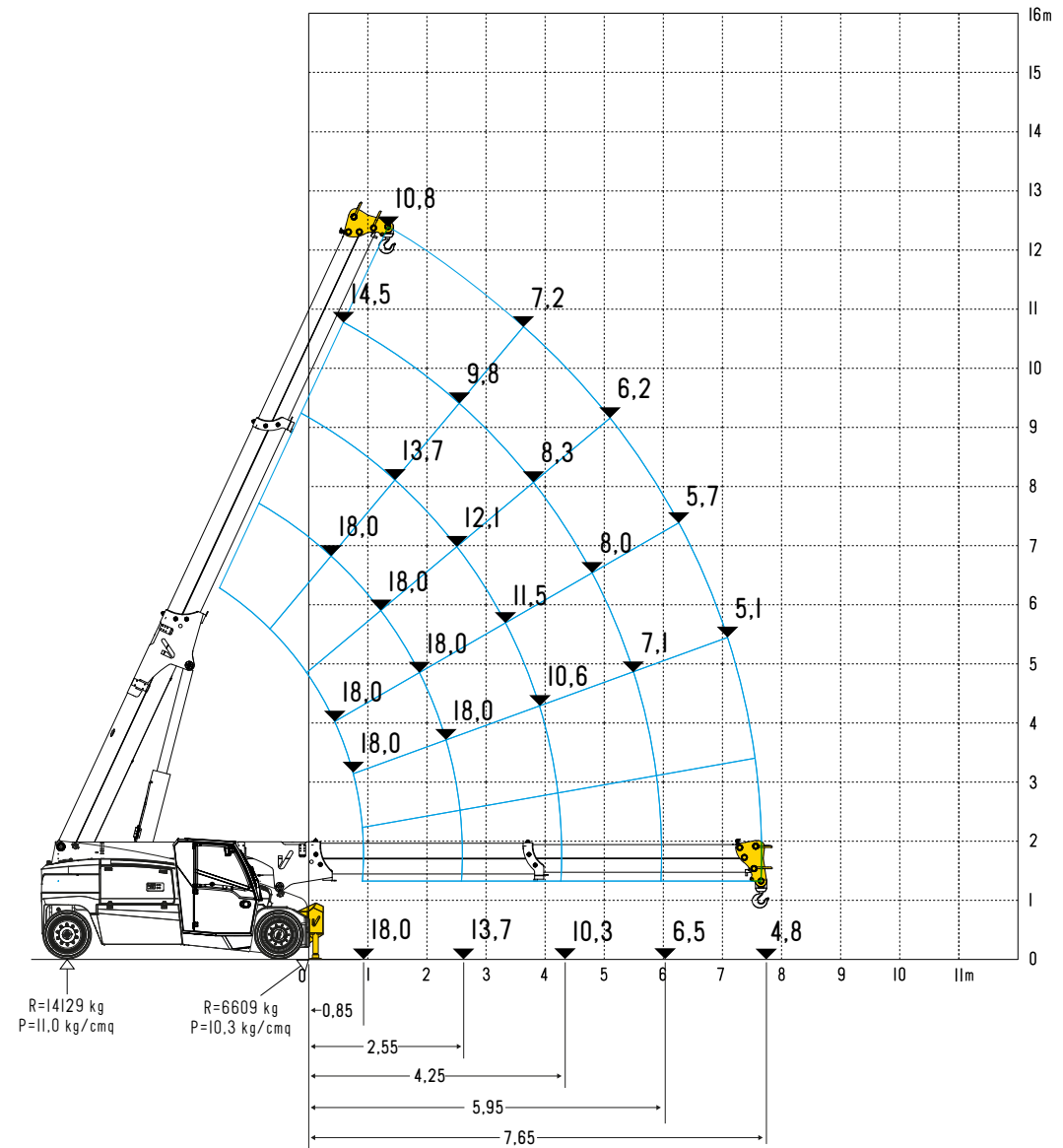
18ton (SWL) Electric Pick & Carry Crane

⚡ 100% Electric

Front Stabilisers - Jib head position 1



*V180RC with Stabilisers



V180RC

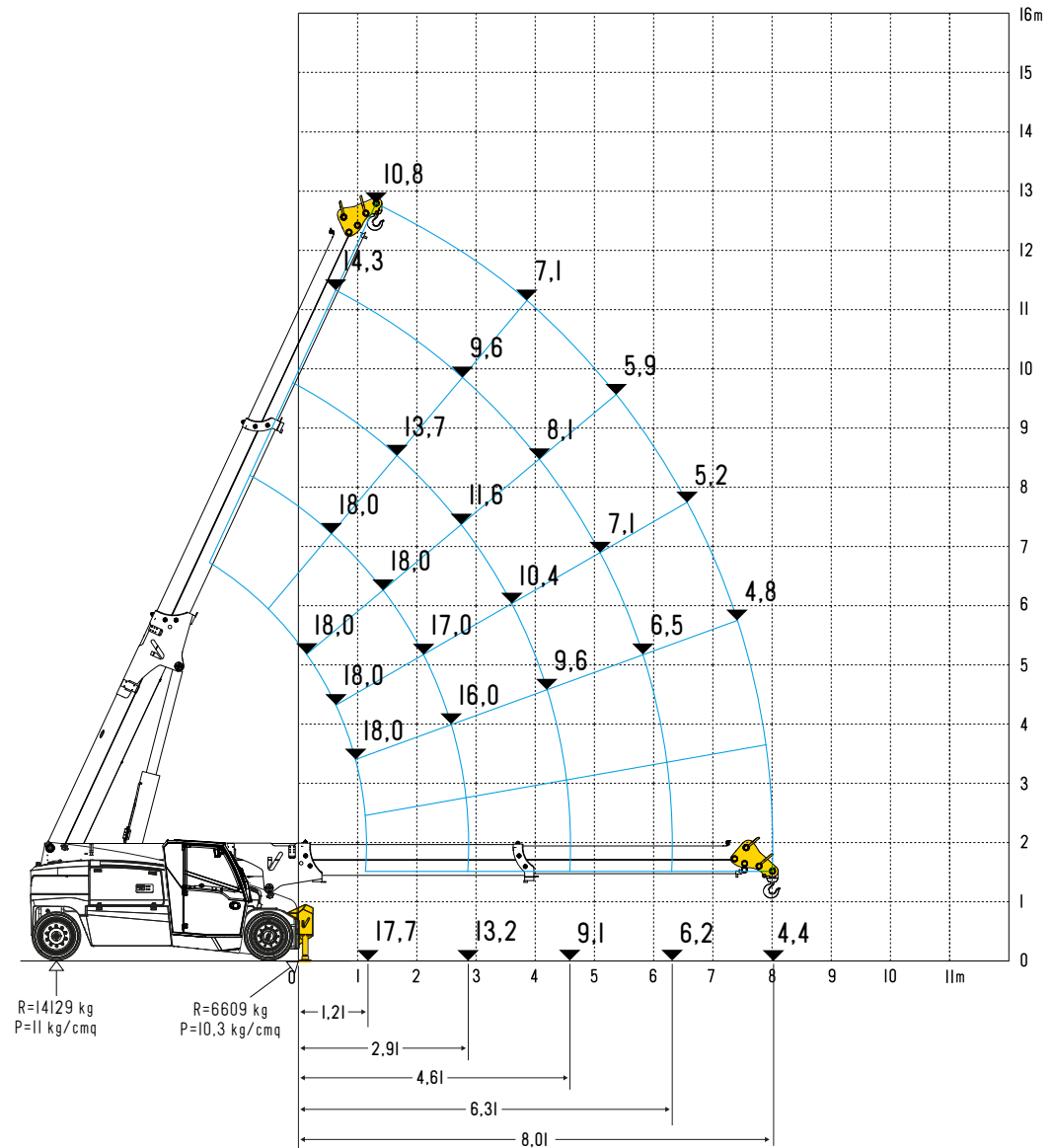
18ton (SWL) Electric Pick & Carry Crane

⚡ 100% Electric

Front Stabilisers - Jib head position 2



*V180RC with Stabilisers



V180RC

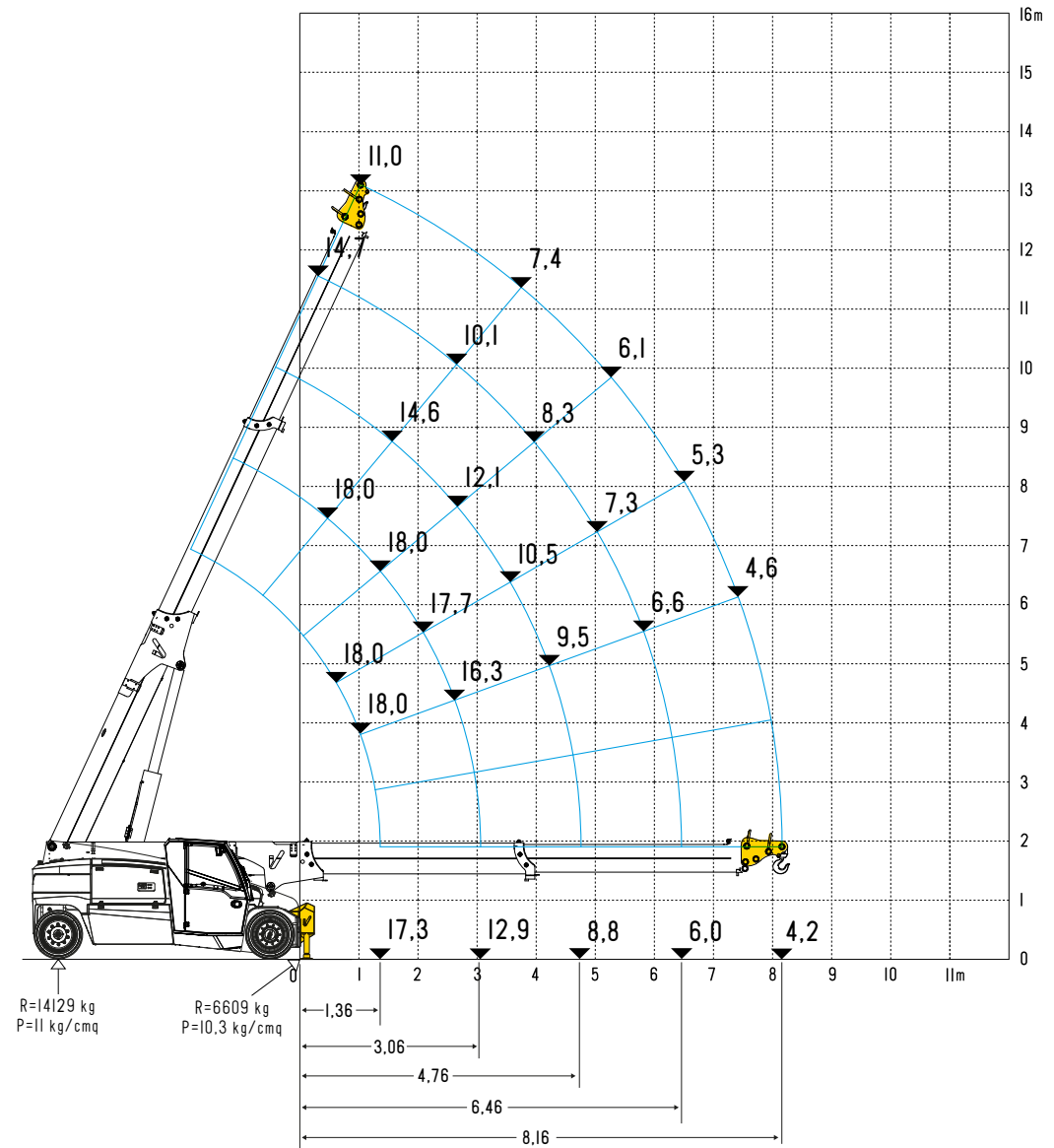
18ton (SWL) Electric Pick & Carry Crane

⚡ 100% Electric

Front Stabilisers - Jib head position 3



*V180RC with Stabilisers

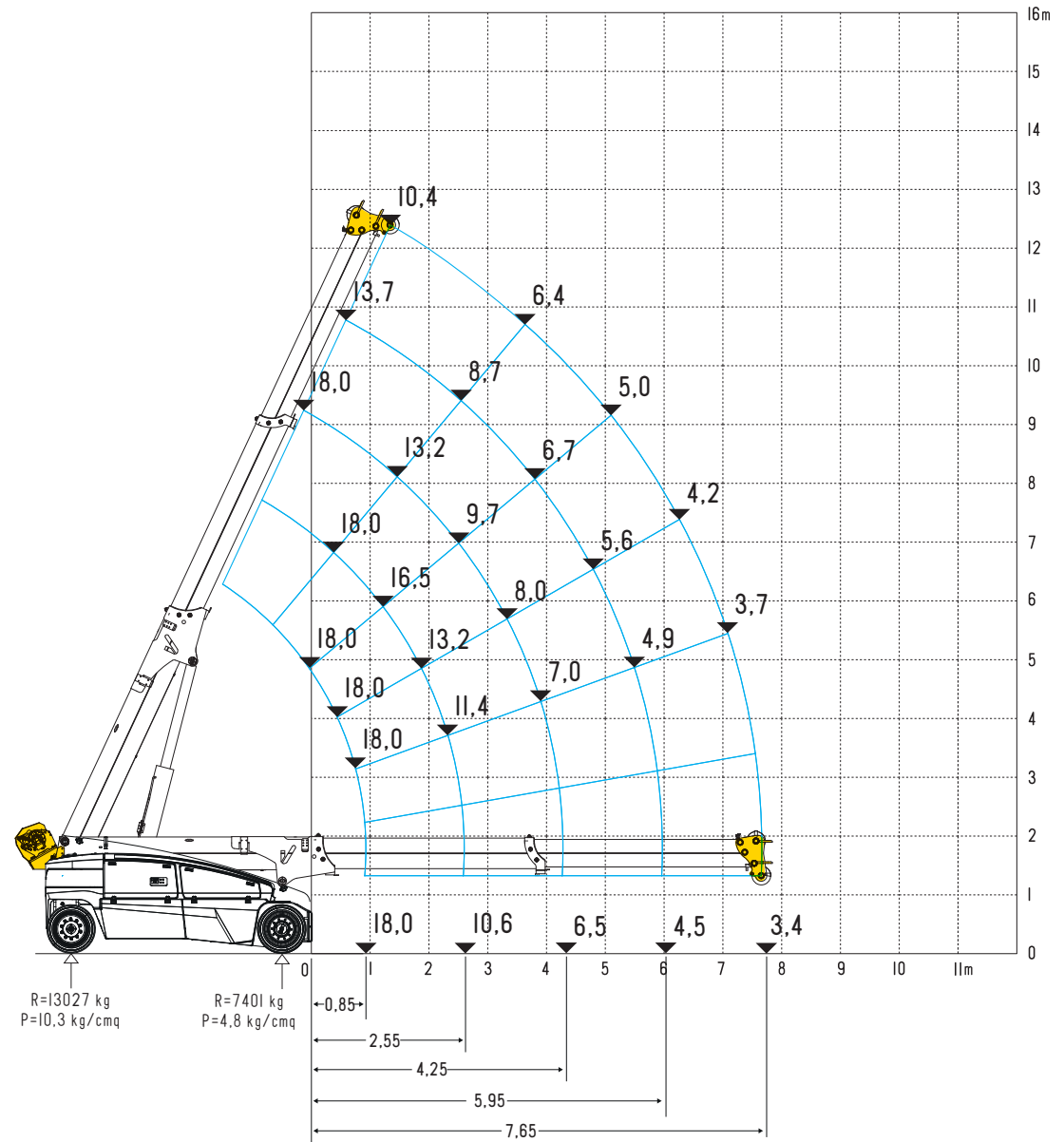


V180RC

18ton (SWL) Electric Pick & Carry Crane

⚡ 100% Electric

Free on wheels - with winch



V180RC

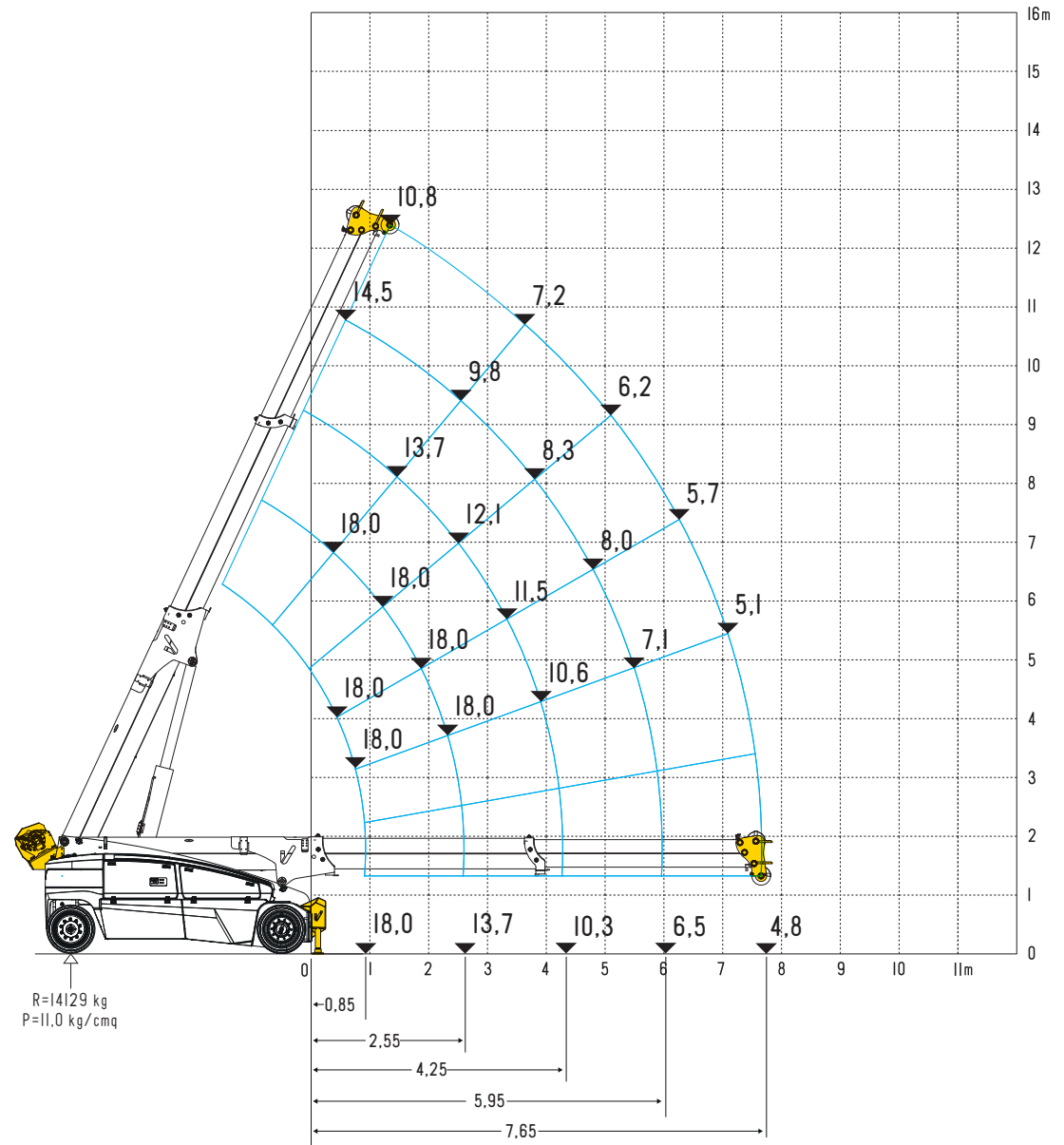
18ton (SWL) Electric Pick & Carry Crane

⚡ 100% Electric

Front Stabilisers - with winch



*V180RC with Stabilisers

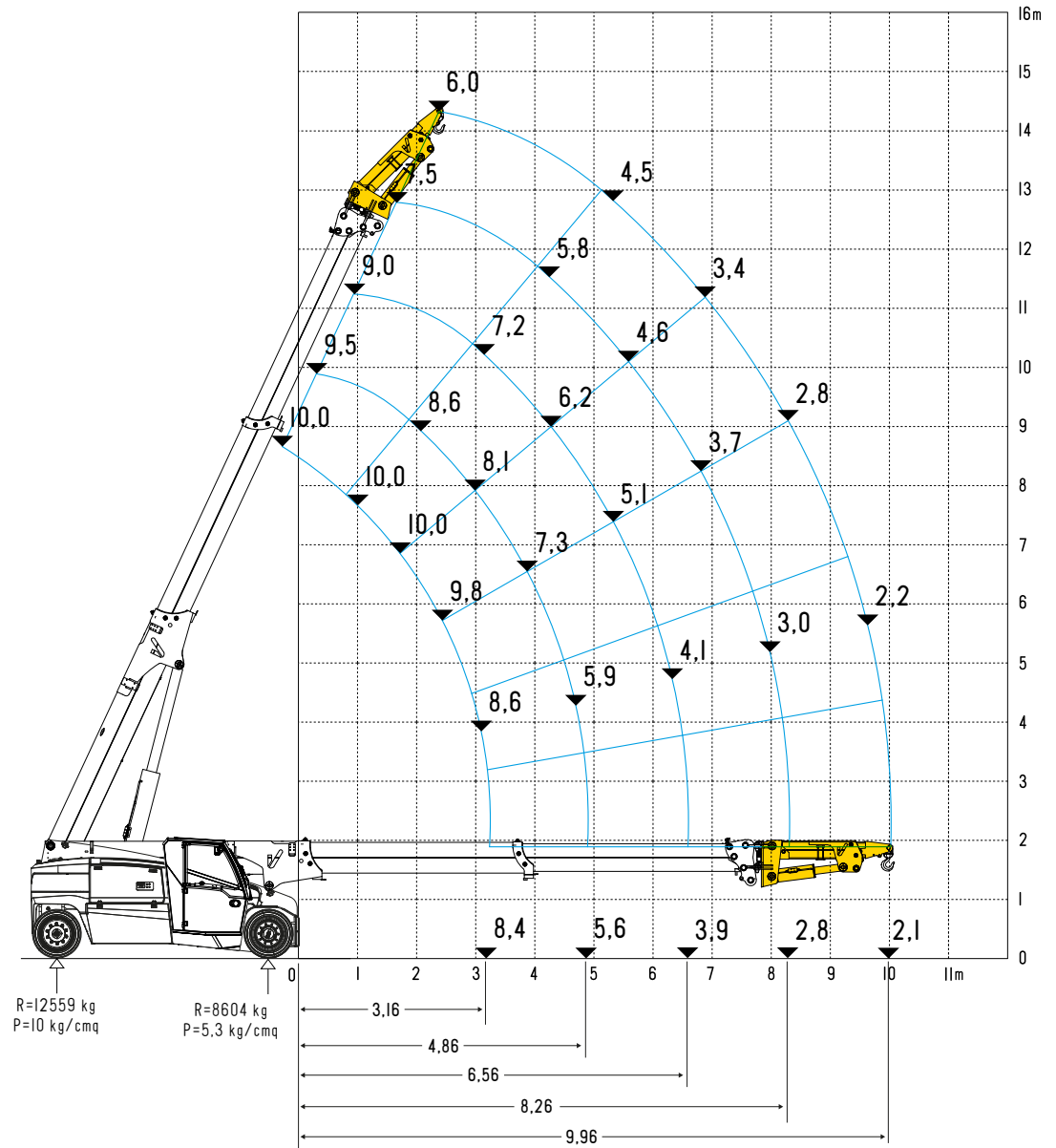


V180RC

18ton (SWL) Electric Pick & Carry Crane

⚡ 100% Electric

Fly Jib (retracted) - Free on wheels - hook position 1

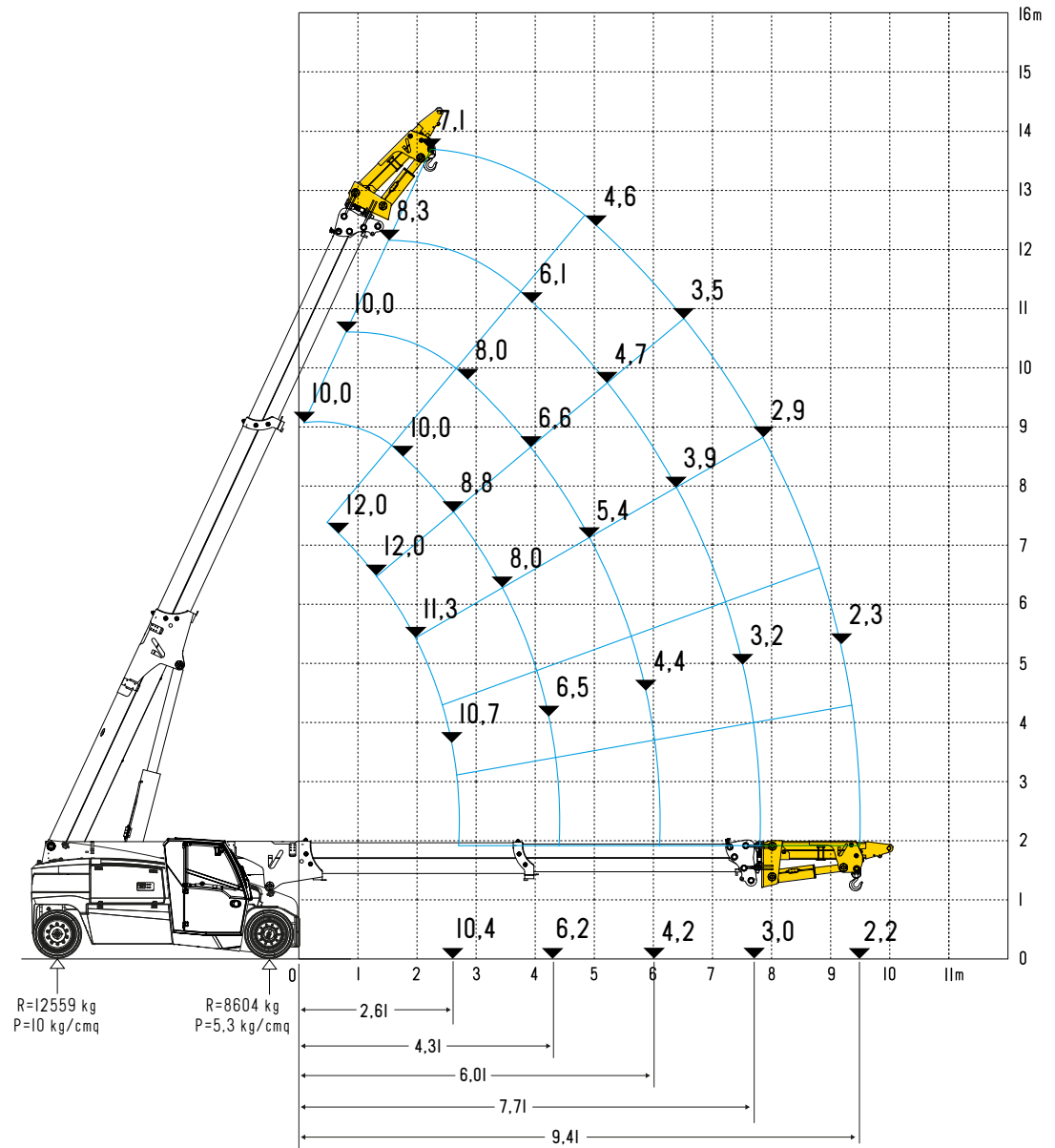


V180RC

18ton (SWL) Electric Pick & Carry Crane

⚡ 100% Electric

Fly Jib (retracted) - Free on wheels - hook position 2

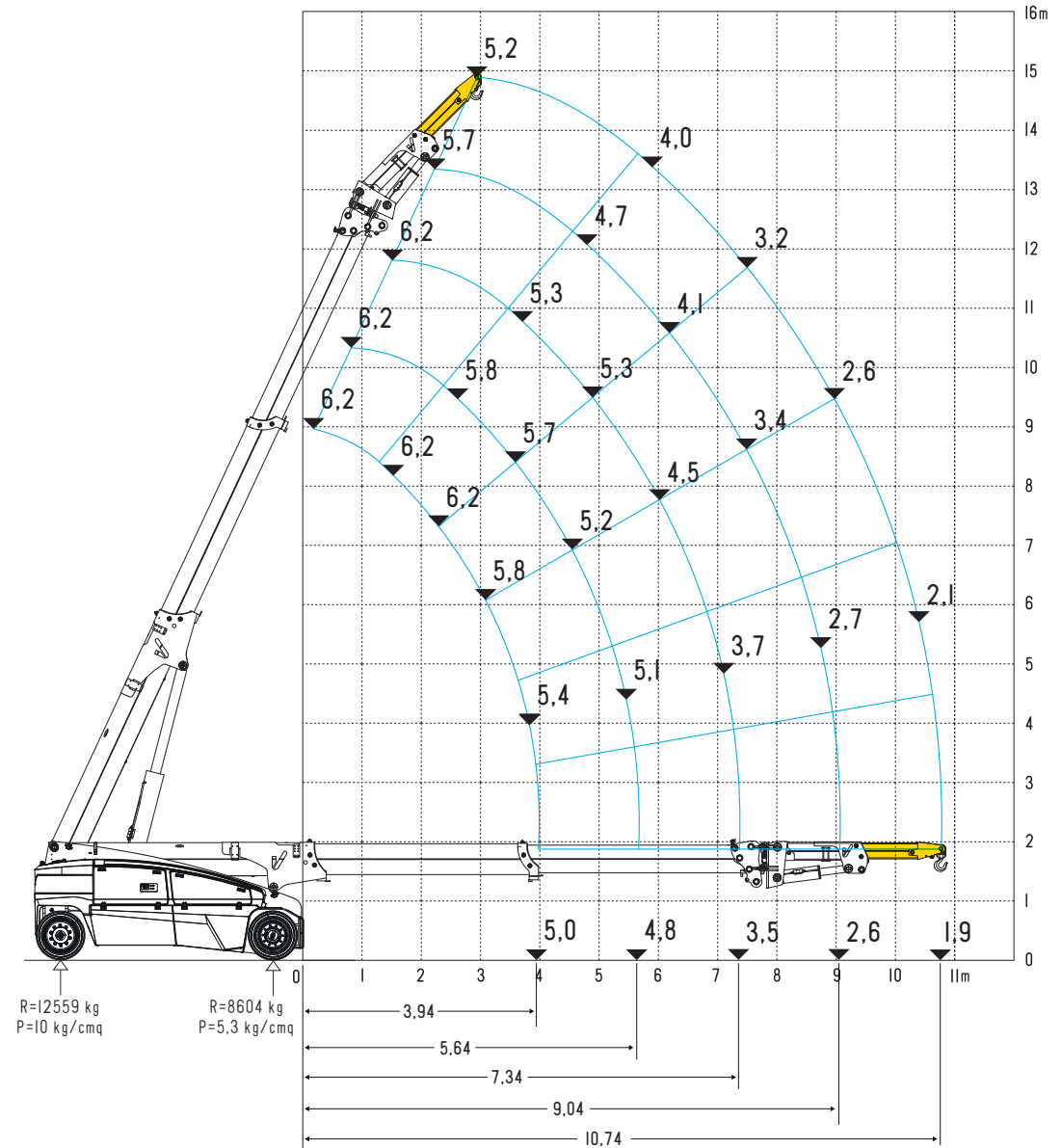


V180RC

18ton (SWL) Electric Pick & Carry Crane

⚡ 100% Electric

Fly Jib (extended) - Free on wheels



V180RC

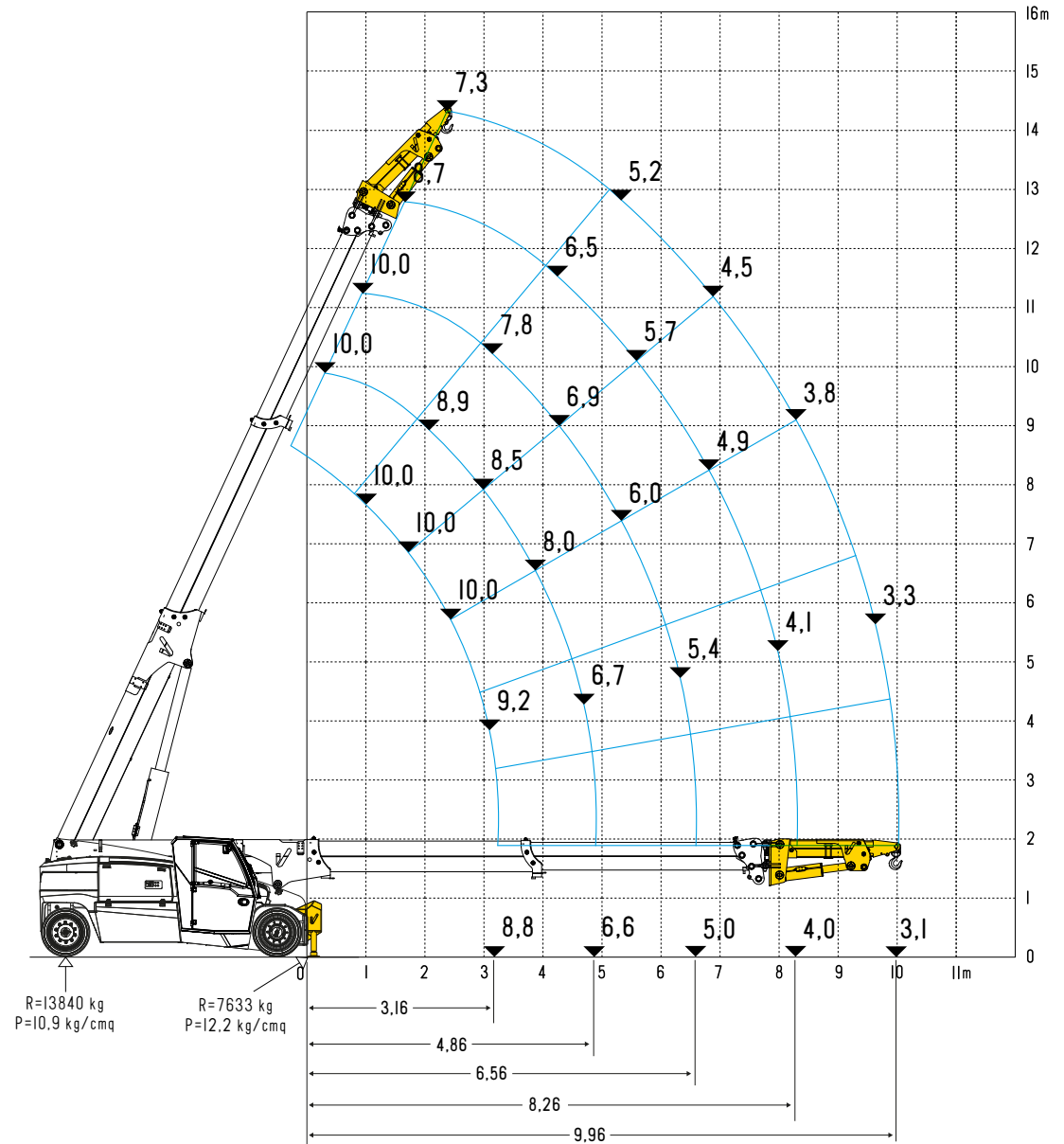
18ton (SWL) Electric Pick & Carry Crane

⚡ 100% Electric

Fly Jib - Front Stabilisers - hook position 1



*V180RC with Stabilisers



V180RC

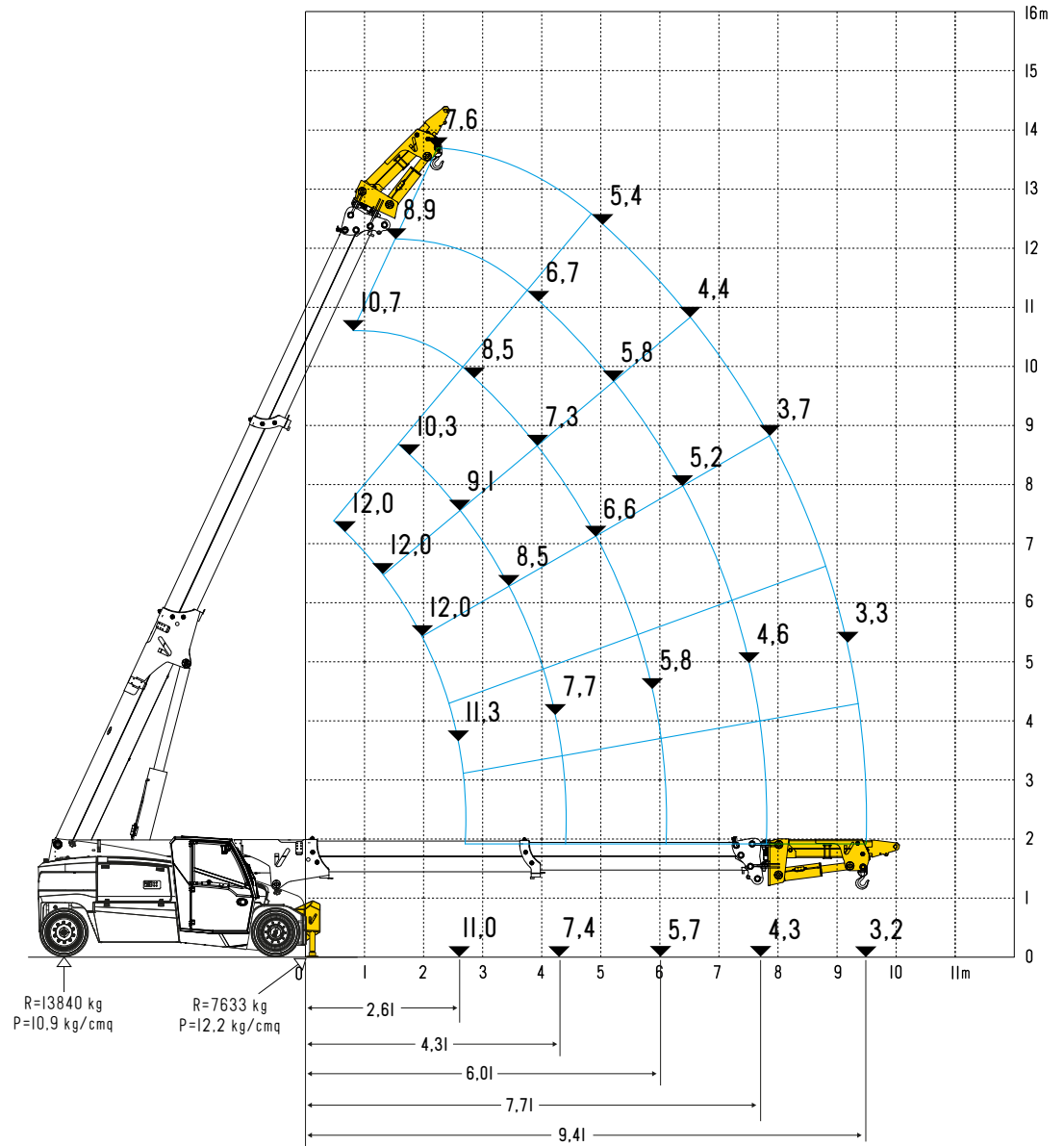
18ton (SWL) Electric Pick & Carry Crane

⚡ 100% Electric

Fly Jib - Front Stabilisers - hook position 2



*V180RC with Stabilisers



V180RC

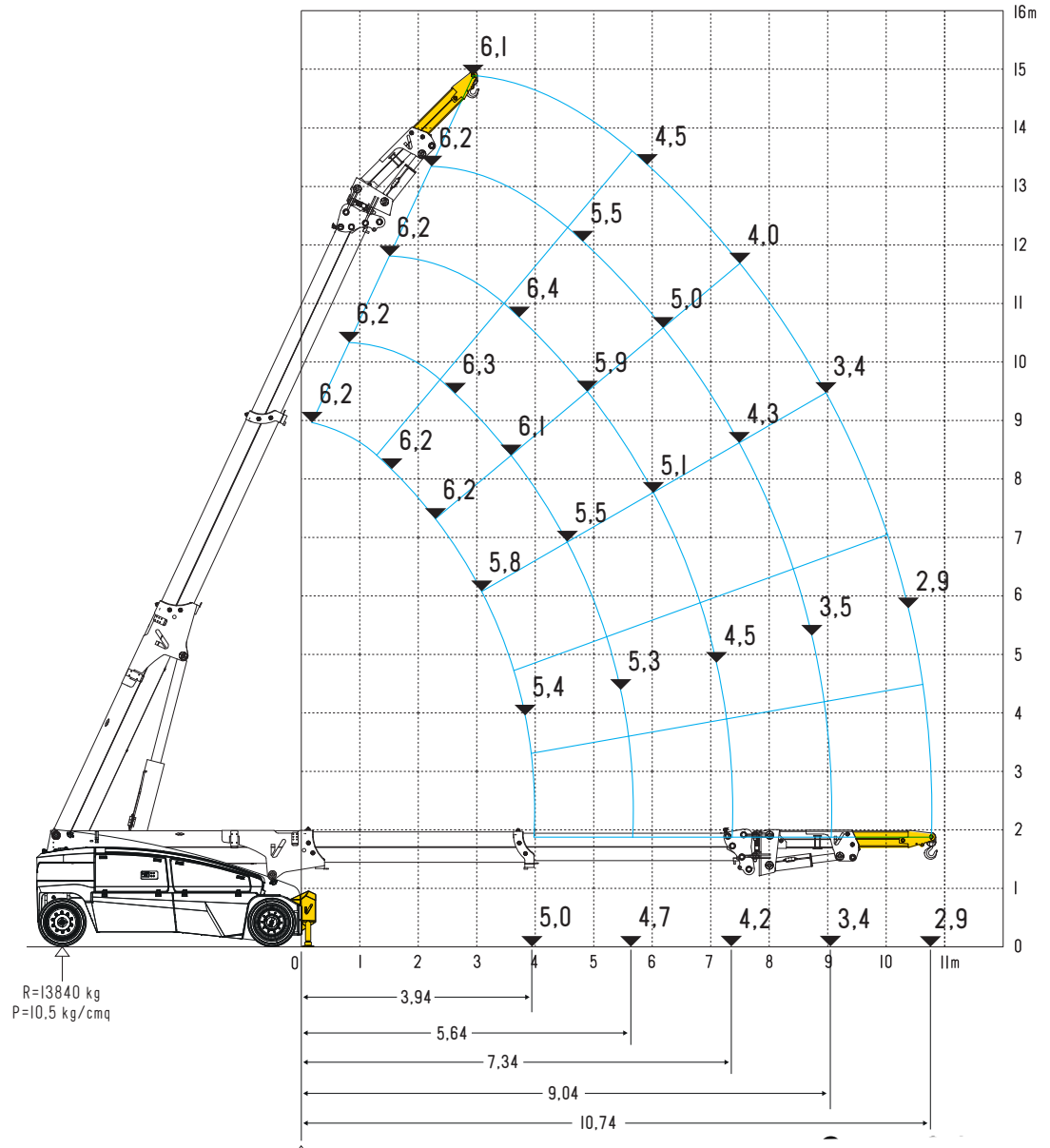
18ton (SWL) Electric Pick & Carry Crane

⚡ 100% Electric

Fly Jib (extended) - Front Stabilisers



*V180RC with Stabilisers

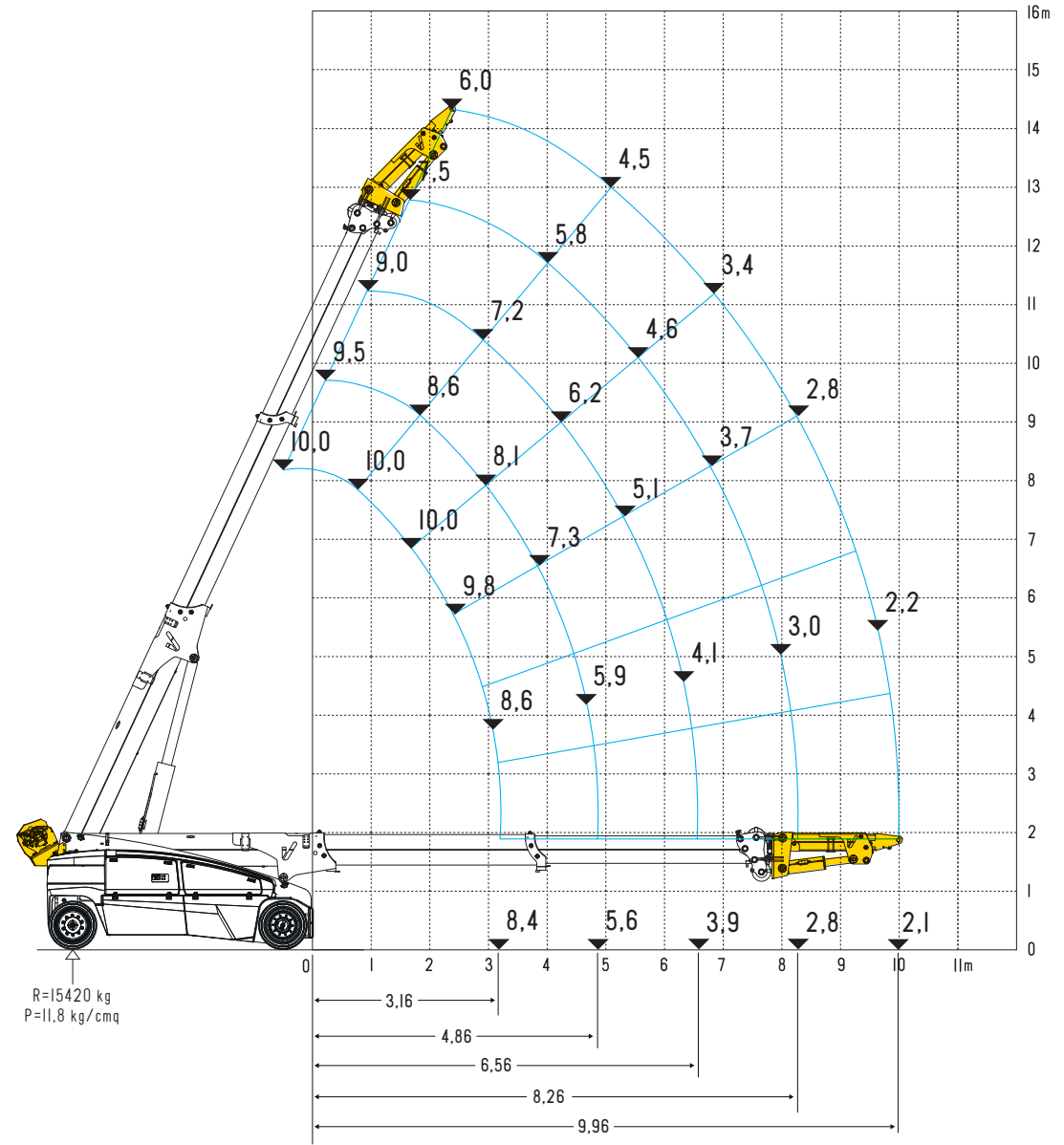


V180RC

18ton (SWL) Electric Pick & Carry Crane

⚡ 100% Electric

Fly Jib (retracted) - Free on wheels - with winch

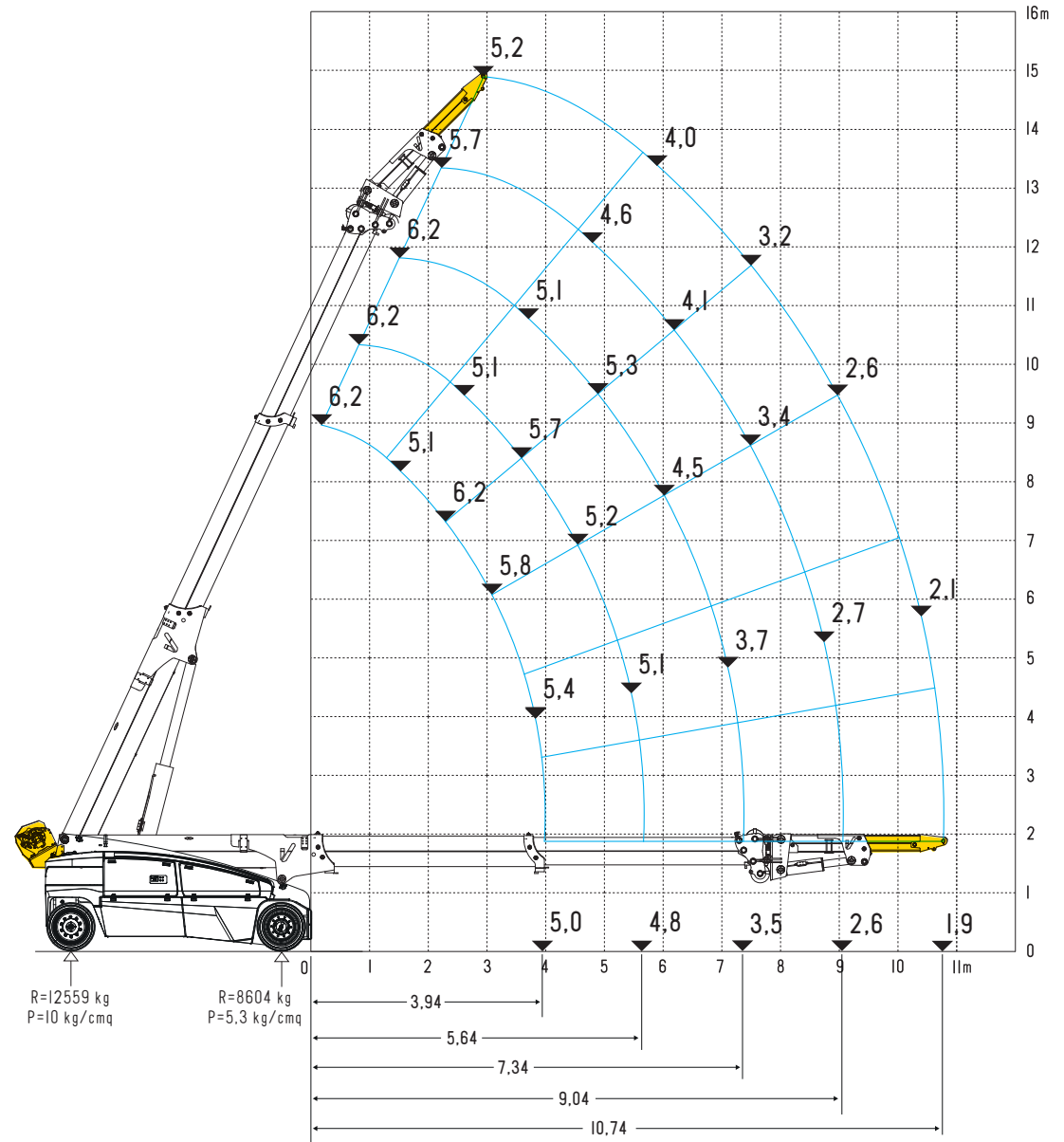


V180RC

18ton (SWL) Electric Pick & Carry Crane

⚡ 100% Electric

Fly Jib (extended) - Free on wheels - with winch



V180RC

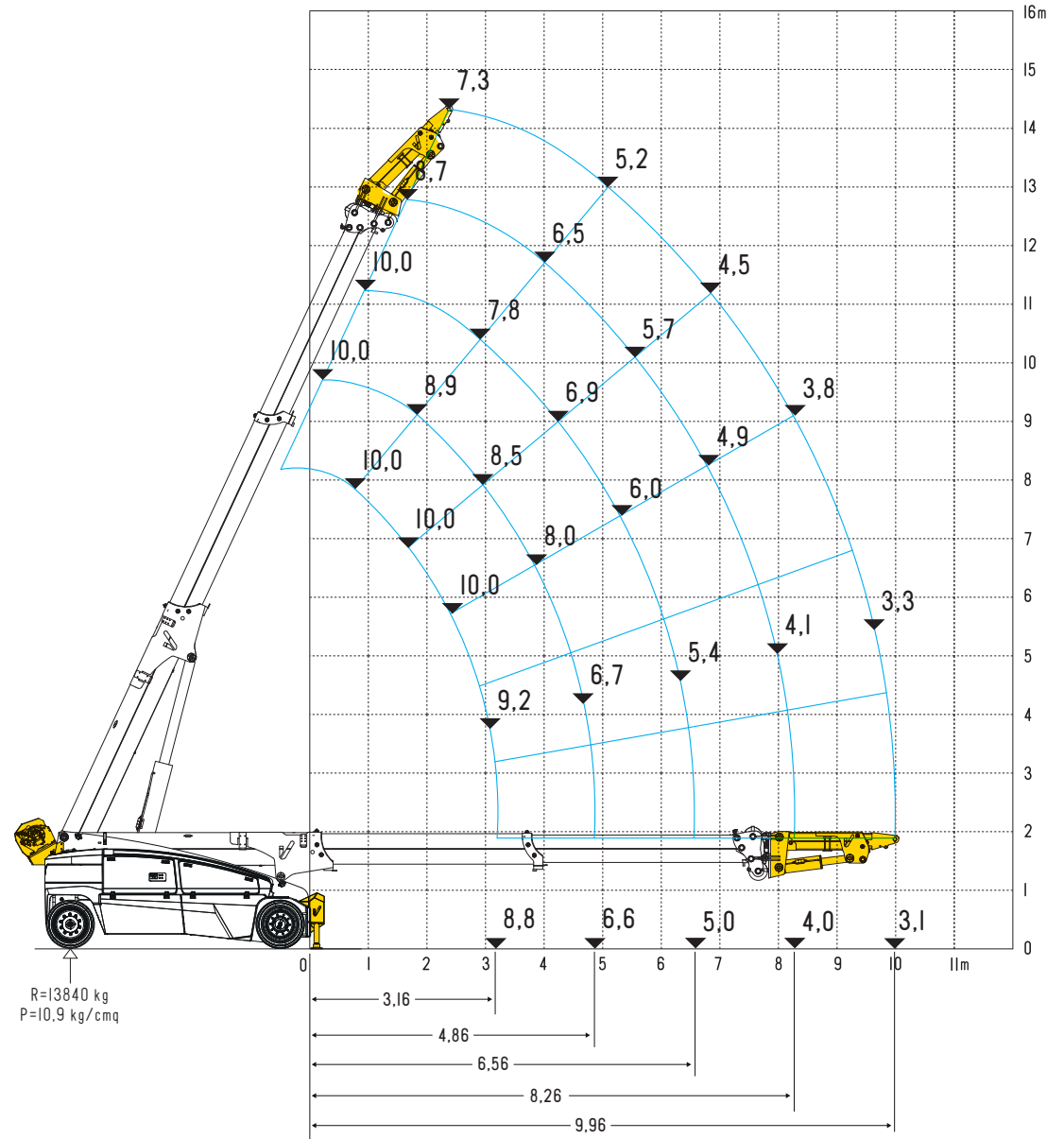
18ton (SWL) Electric Pick & Carry Crane

⚡ 100% Electric

Fly Jib (retracted) - Front Stabilisers - with winch



*V180RC with Stabilisers



V180RC

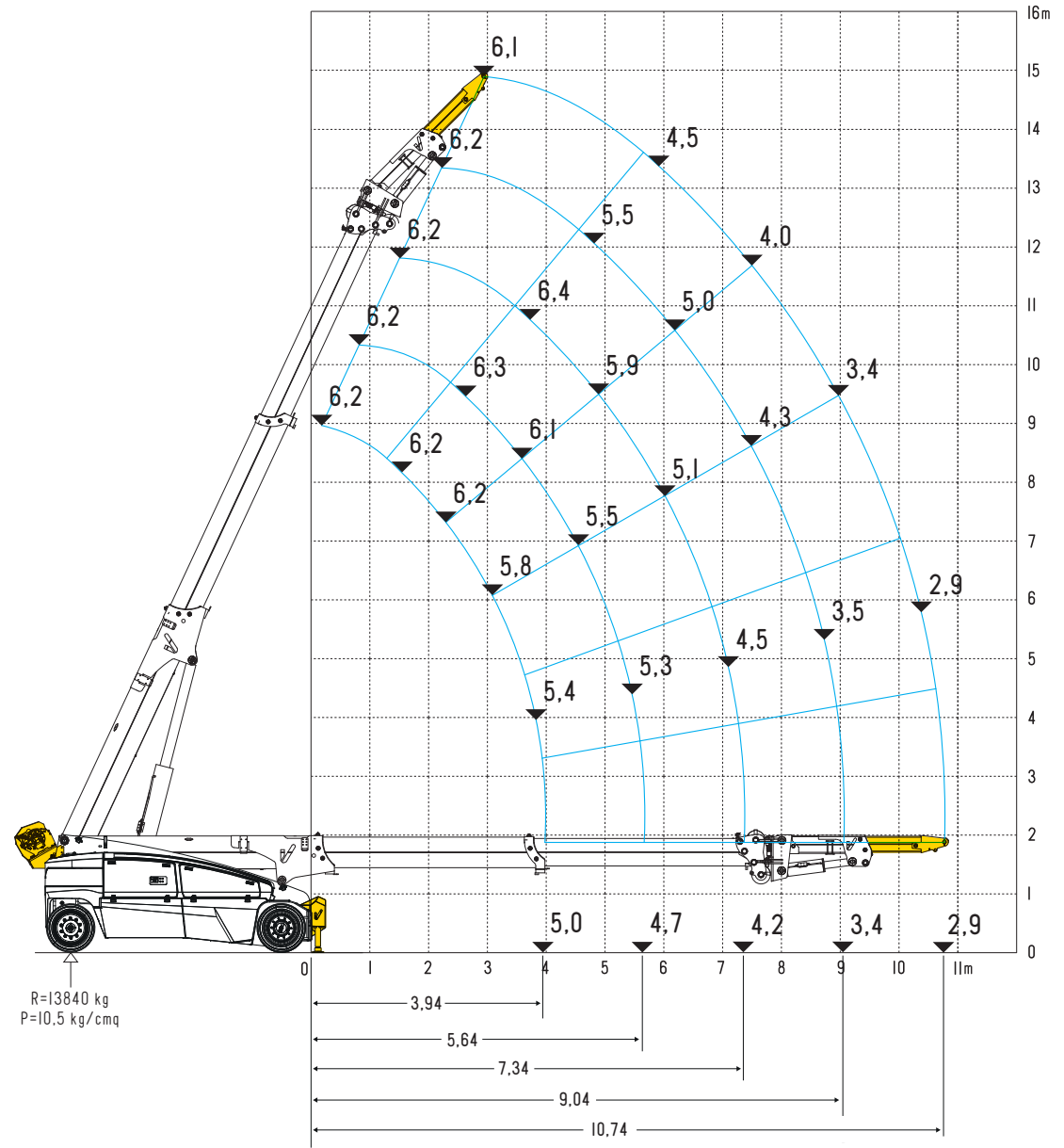
18ton (SWL) Electric Pick & Carry Crane

⚡ 100% Electric

Fly Jib (extended) - Front Stabilisers - with winch

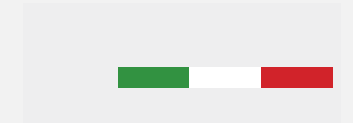


*V180RC with Stabilisers





 **100% Electric**

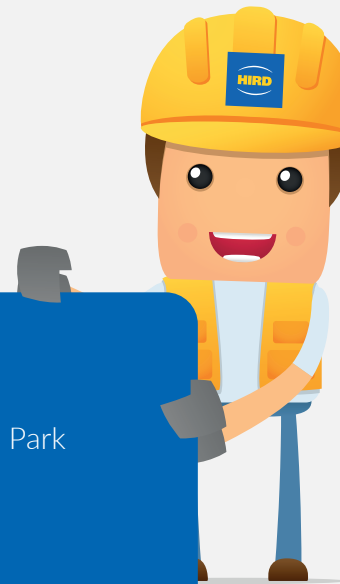


www.hird.co.uk info@hird.co.uk

Northern
01482 227333
(Head Office)
English Street,
Hull HU3 2BS

Central
01302 341659
Shaw Lane Industrial Estate
Ogden Road, Doncaster
DN2 4SQ

Southern
0203 174 0658
Unit 8, Redhill 23 Business Park
Holmethorpe Avenue,
Redhill RH1 2NB



Valla is a brand of Manitex International

© Hird Ltd 2024

Technical data and features are subject to change without notice. machines shown may have optional accessories.
These measurements indicated in the document may have a tolerance of +/-3°