

Valla
MANITEX



250EC

25ton (SWL) Electric Pick & Carry Crane

 **100% Electric**

Product Details

250EC

25ton (SWL) Electric Pick & Carry Crane

⚡ 100% Electric

Crane available to hire in

Fixed Hook or Winch & Hook Block

Cabin operated and or Wireless remote control

- | Non-Marking Tyres
- | Fork Attachment
- | Machine Weight 24,200kg (subject to attachments)



*250E + Fork attachment



CPCS A66 Compact Crane
(B. Mobile Industrial)



Wireless remote
control



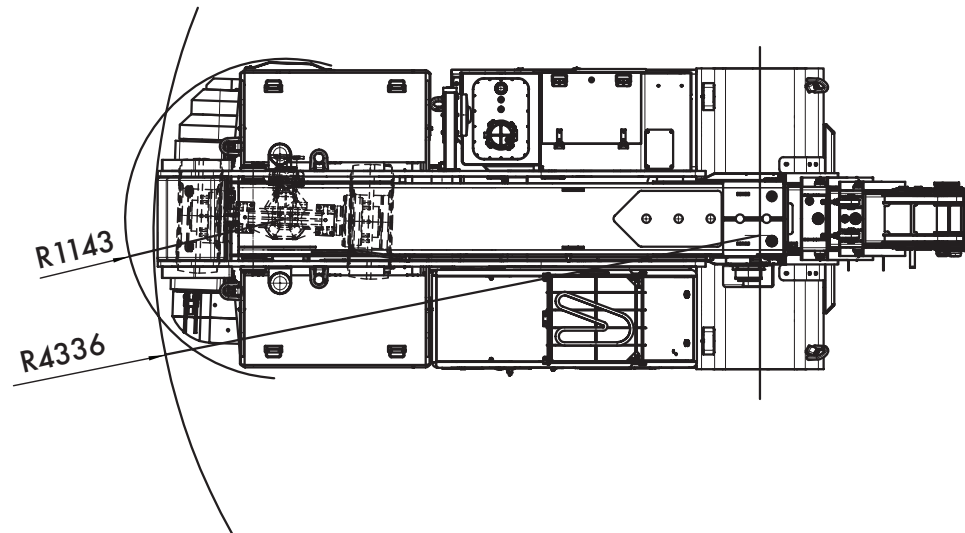
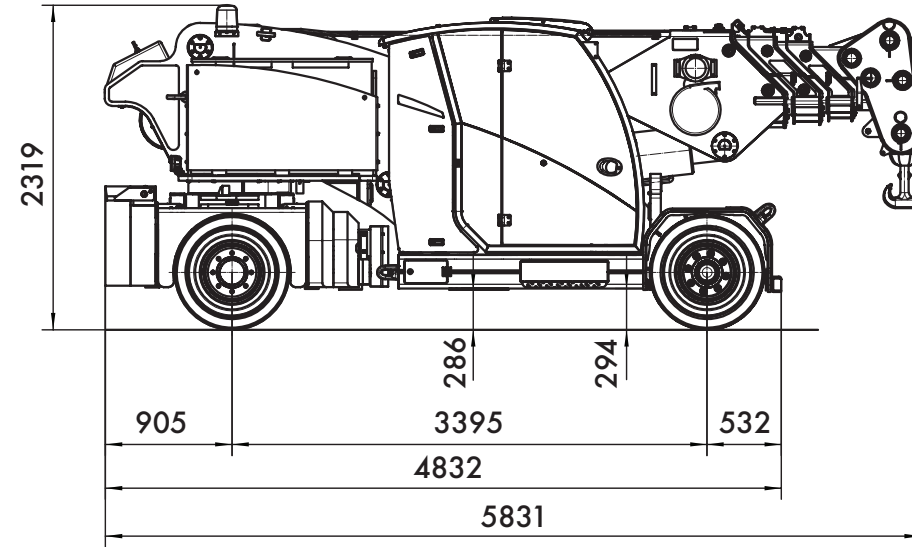
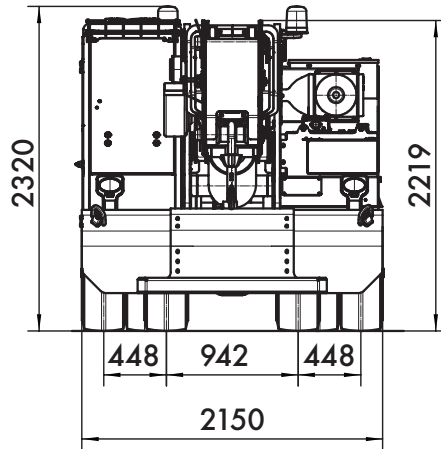
Load monitoring

250EC

25ton (SWL) Electric Pick & Carry Crane

⚡ 100% Electric

Fixed Hook - Dimensions

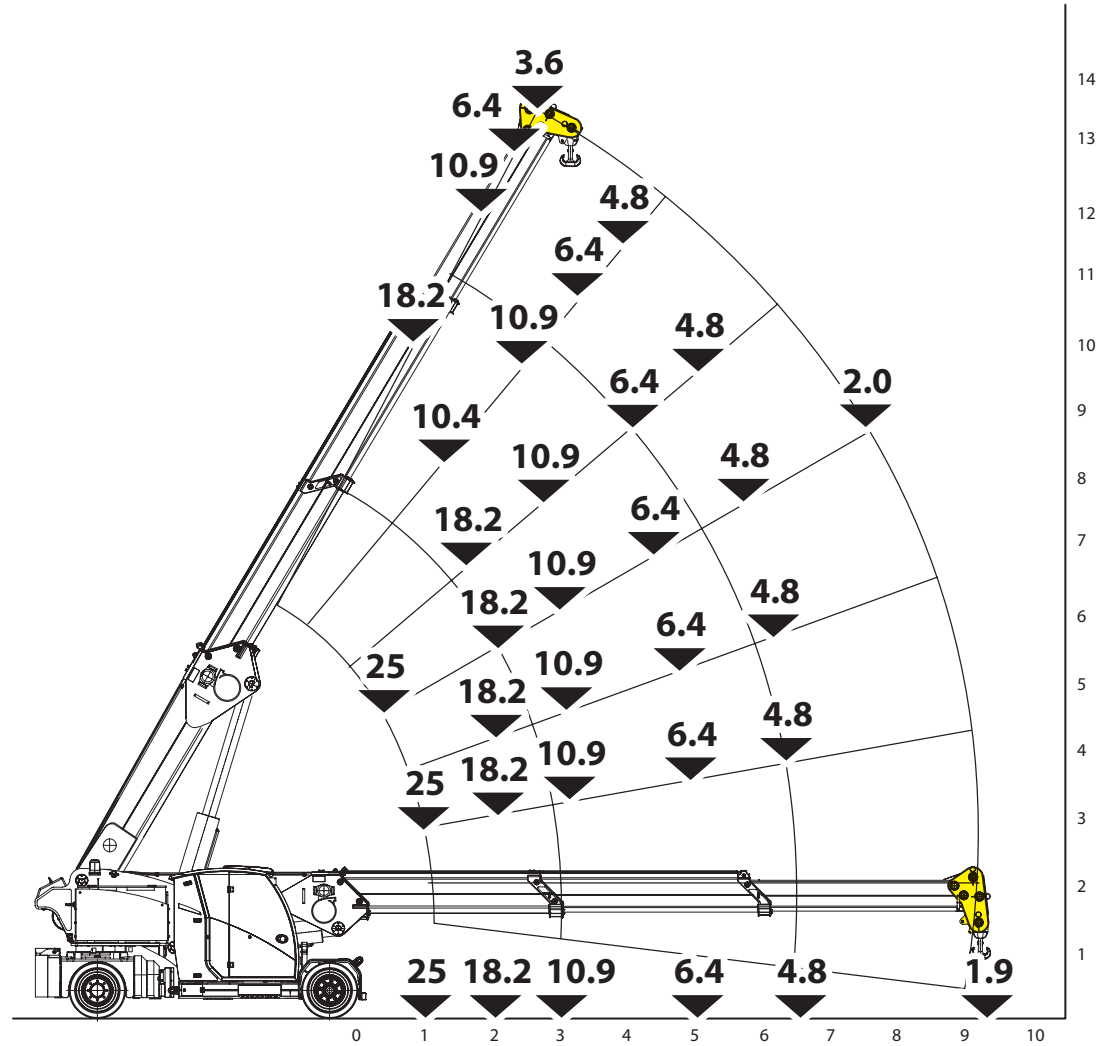


250EC

25ton (SWL) Electric Pick & Carry Crane

⚡ 100% Electric

Fixed Hook - Working envelope

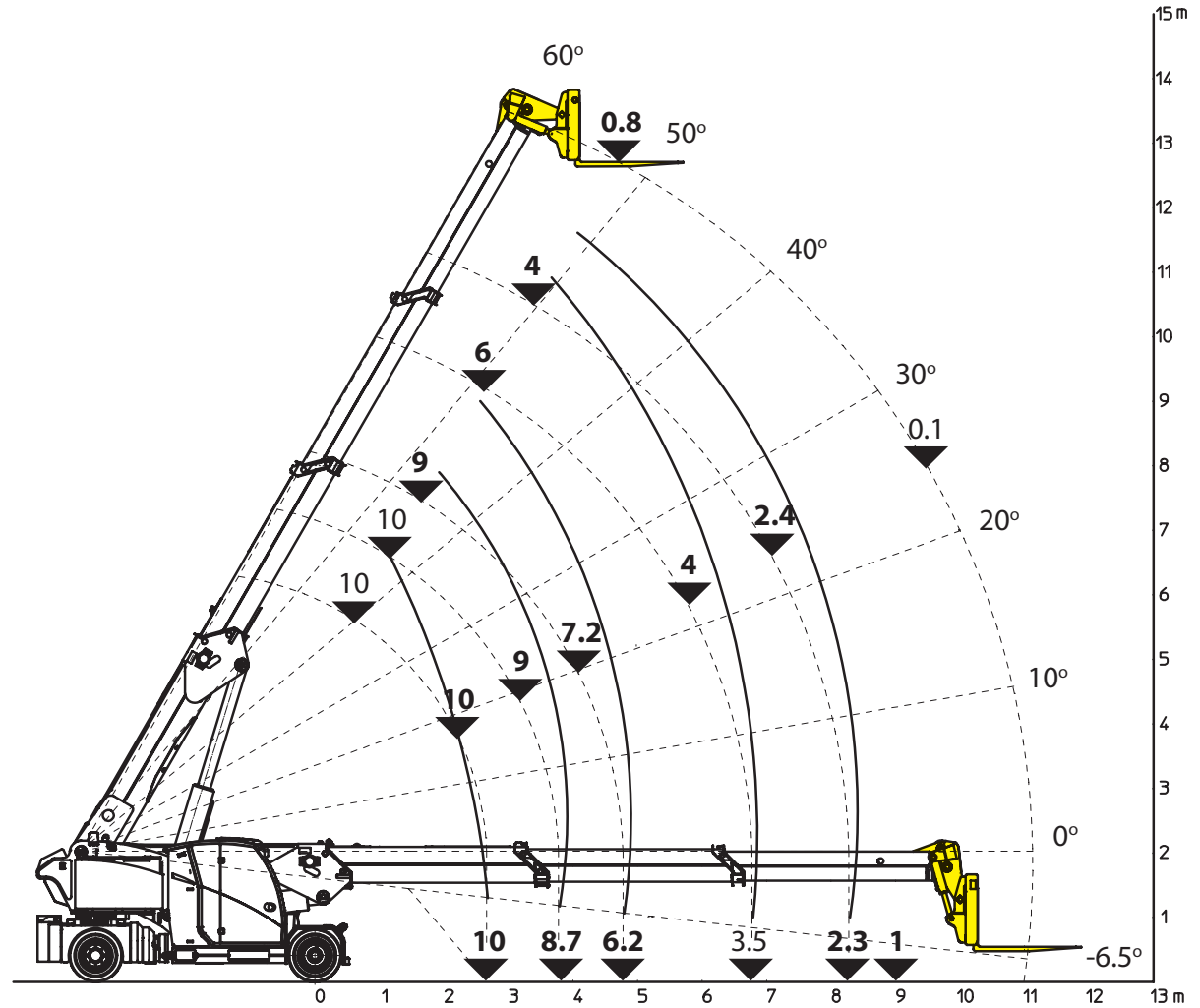


250EC

25ton (SWL) Electric Pick & Carry Crane

⚡ 100% Electric

Fork Attachment - Working envelope



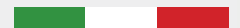


 **100% Electric**



www.hird.co.uk

info@hird.co.uk



Northern

01482 227333

(Head Office)
English Street,
Hull HU3 2BS

Central

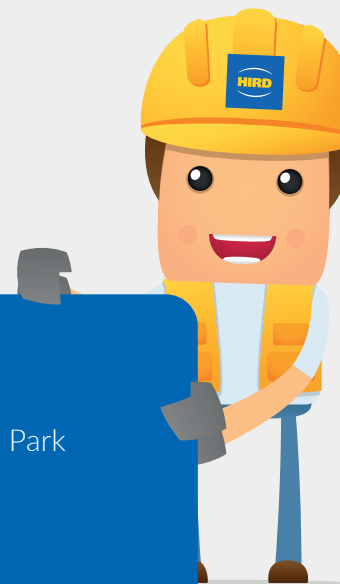
01302 341659

Shaw Lane Industrial Estate
Ogden Road, Doncaster
DN2 4SQ

Southern

0203 174 0658

Unit 8, Redhill 23 Business Park
Holmethorpe Avenue,
Redhill RH1 2NB



Valla is a brand of Manitex International

© Hird Ltd 2024

Technical data and features are subject to change without notice. machines shown may have optional accessories. These measurements indicated in the document may have a tolerance of +/-3°