

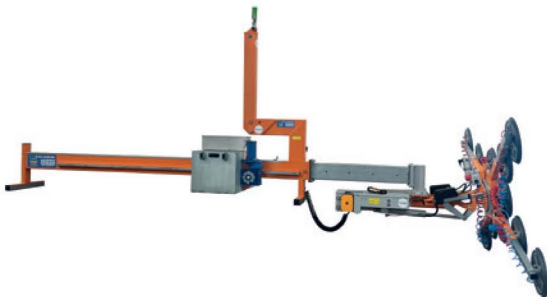
HIRDEst. 1983
Celebrating 40 Yearswww.hird.co.uk

Oktopus CBVL1500

Counterbalance Vacuum Lifting Beam



Remote control



1,500kg

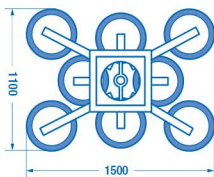
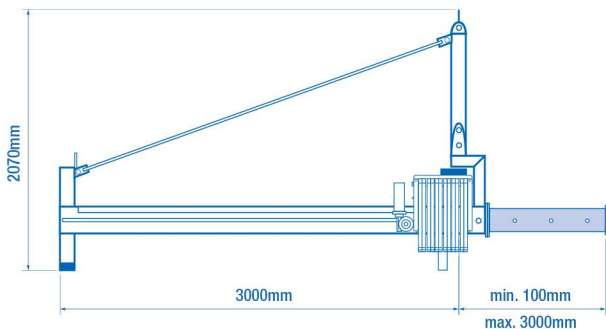
Max. Lifting Capacity		1,500kg	
Overhang adjustable	Minimum	1,000mm	Maximum 3,000mm
Weight	approx.	750 kg without counterweight	1,150 kg with 16 pieces counterweights
Inclination	Maximum	$\pm 10^\circ$	
Counterweights		16 removable pieces 1 counterweight = 25 kg	
Power source		24v battery - 110v / 240v charger	
Operation		Cable remote control, radio remote control optional	



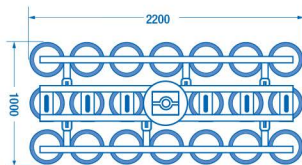
LEEA - Counterbalance lifting beam

**Northern**
01482 227333**Central**
01302 341659**Southern**
0203 174 0658

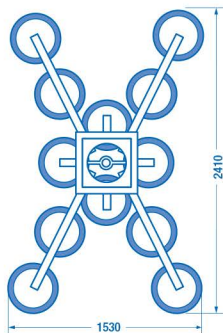
Dimensions



8 Suction Cups - Flat Glass
Lifting Capacity Max.800kg



20 Suction Cups - Curved Glass
Lifting Capacity Max.1000kg



12 Suction Cups - Flat Glass
Lifting Capacity Max.1200kg

Product specifications are subject to change without notice or obligation.

The photographs and/or drawings in this document are for illustrative purposes only.