

HIRD

Est. 1983
Celebrating 40 Years

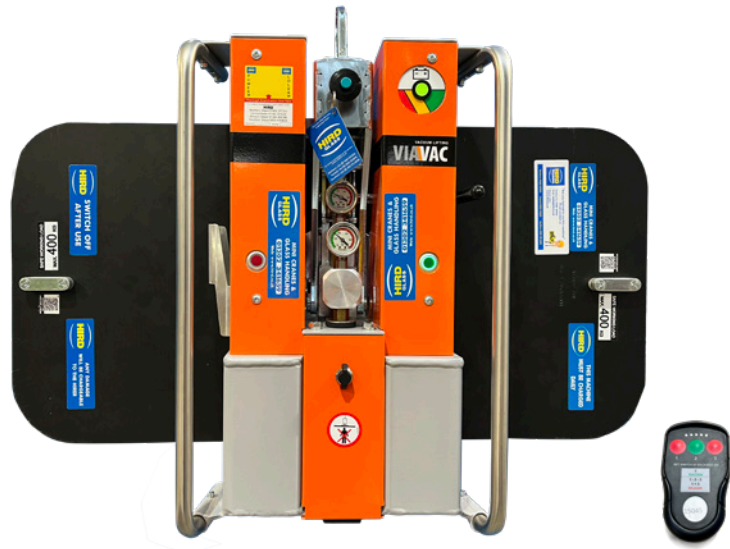
www.hird.co.uk

CoolBoy CBC4

Dual Circuit Cladding Vacuum


The Coolboy CBC4 is a flexible vacuum lifter designed for lifting cladding and roofing sandwich panels.

- Large singular vacuum cup for lifting large panels of different shapes and weights
- Tilting and rotating system for taking panels from horizontal to vertical planes
- Dual circuit vacuum system provides additional safety - EN13155 compliant
- Highly compact for easy transportation



Optional wireless remote control

400kg

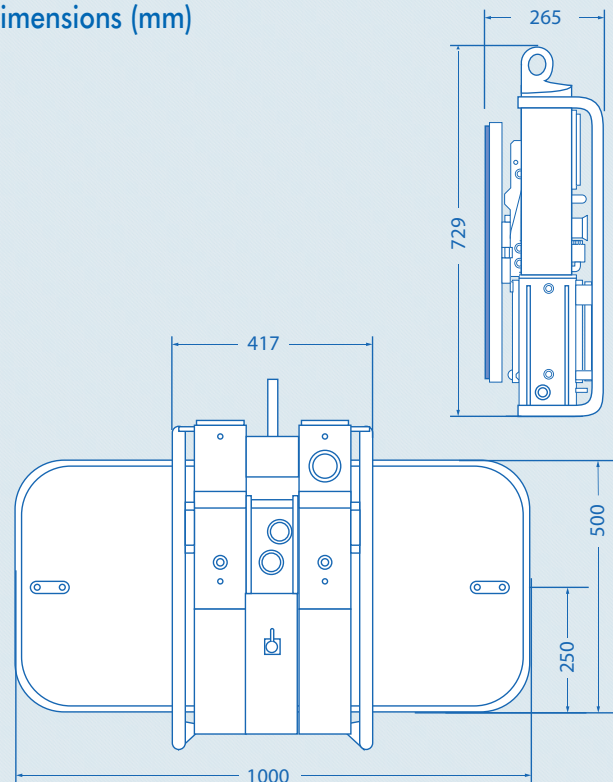
 360° rotation

 90° tilt

Technical Specification

| | |
|--------------------------|---------------------------------|
| Max. lifting capacity | 400kg |
| Weight of lifter | 70kg |
| Number of suction pads | 1 |
| Suction pad dimension | 500x1000mm |
| Structural depth | 237mm |
| Power source inc charger | Battery (110v on-board charger) |

Dimensions (mm)



RTITB - accredited vacuum course

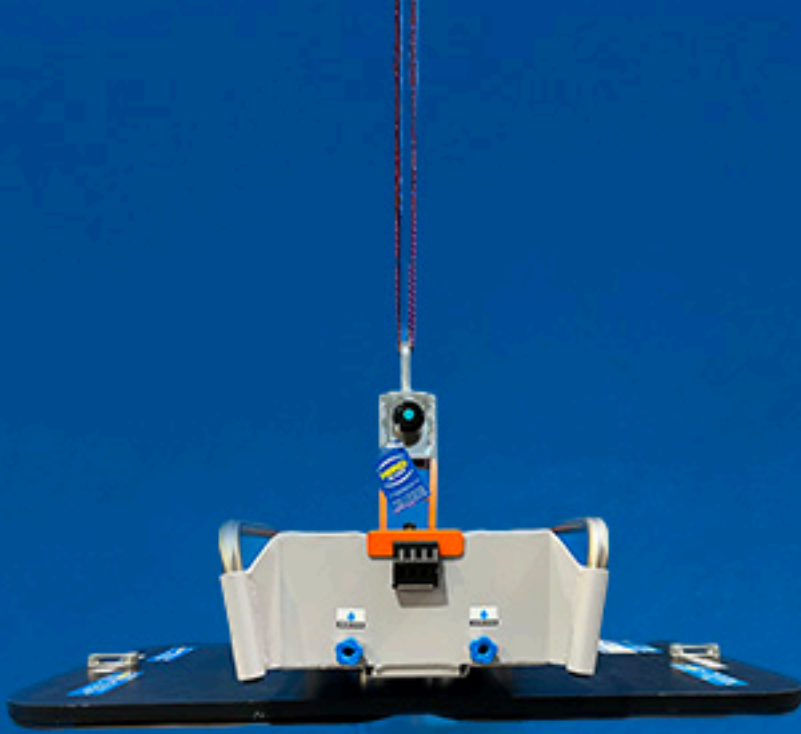


Product specifications are subject to change without notice or obligation.
The photographs and/or drawings in this document are for illustrative purposes only.

Northern
01482 227333

Central
01302 341659

Southern
0203 174 0658



CoolBoy in 90° degree horizontal configuration



Pad in vertical configuration



Compact Travel Stand

