

HIRDEst. 1983
Celebrating **40 Years**www.hird.co.uk

PFHL89 Slimline Vacuum

Vacuum Lifter

**445kg**

180° rotation



90° tilt

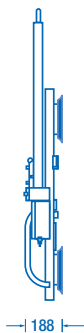
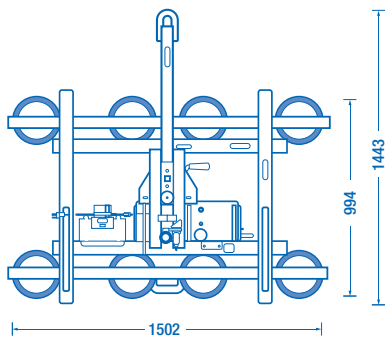
Max. lifting capacity	445kg
Weight of lifter	54kg
Number of suction cups	8
Suction cup dimension	230mm Ø
Structural depth	188mm
Power source inc charger	Battery (110v on-board charger)



RTITB - accredited glass vacuum course

**160****Northern**
01482 227333**Central**
01302 341659**Southern**
0203 174 0658

Dimensions (mm)



Product specifications are subject to change without notice or obligation.
The photographs and/or drawings in this document are for illustrative purposes only.