

**HIRD**Est. 1983  
Celebrating **40 Years**[www.hird.co.uk](http://www.hird.co.uk)

## P11104

Dual Circuit Vacuum Lifter

**320kg**

180° rotation



90° tilt

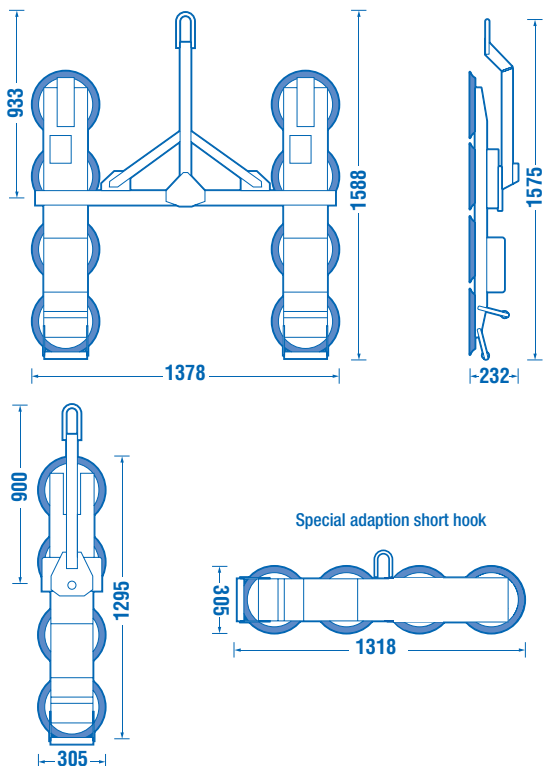
Max. lifting capacity	320kg
Weight of lifter	44kg
Number of suction cups	4
Suction cup dimension	305mm Ø
Structural depth	232mm
Power source inc charger	Battery (110v on-board charger)



RTITB - accredited glass vacuum course



## Dimensions (mm)



Product specifications are subject to change without notice or obligation.  
The photographs and/or drawings in this document are for illustrative purposes only.