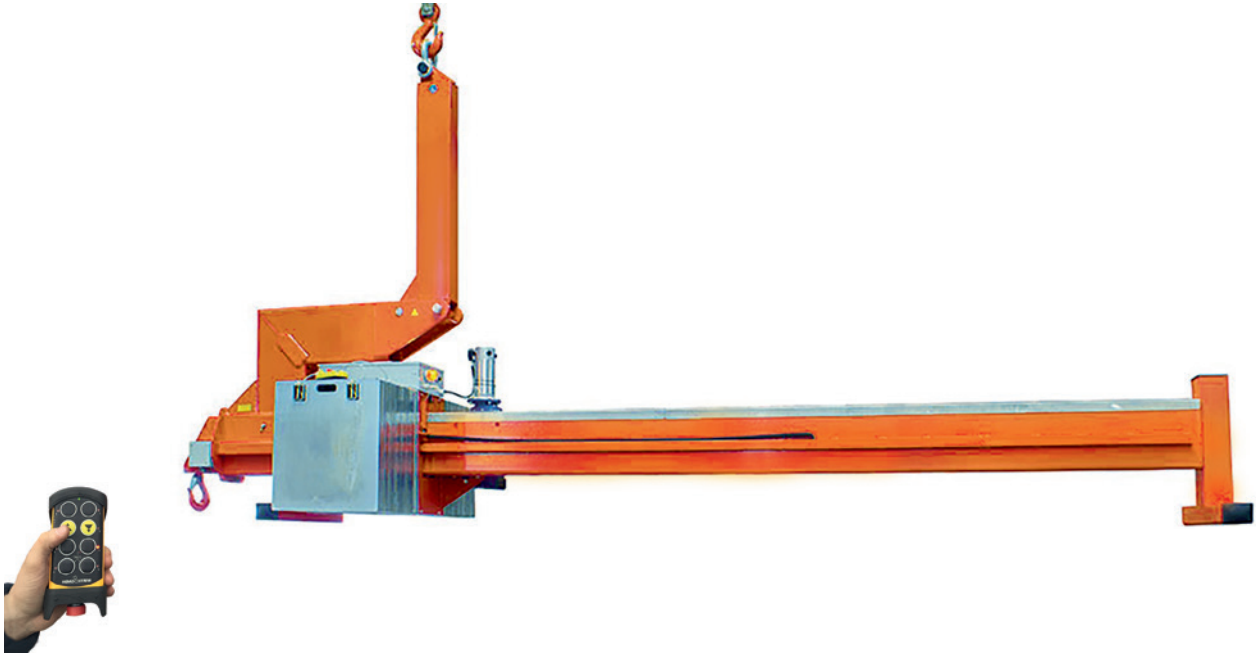


OKTOPUS CBL8000

Counterbalance Lifting Beam



Remote control

8,000kg

Technical specification

Overhang Adjustable Minimum **1,500mm** Maximum **3,000mm**

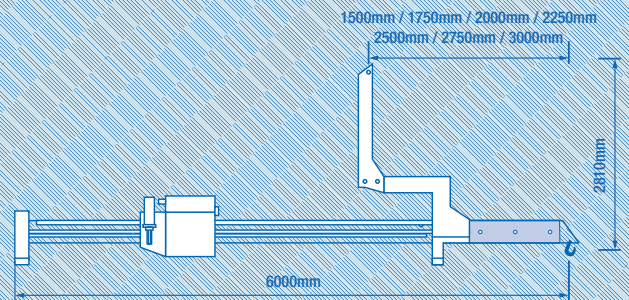
Weight approx. **1,200 kg** without counterweight **4,100kg** with 58 counterweights

Inclination Maximum $\pm 10^\circ$

Counterweights **58 removable pieces**
1 counterweight = 50kg

Power Source **24v battery - 110v / 240v charger**

Operation **Cable remote control,
radio remote control optional**



Safe Working Loads

Overhang	Working Load Limit
1.50m	8,000kg
1.75m	6,400kg
2.00m	5,250kg
2.25m	4,300kg
2.50m	3,650kg
2.75m	3,000kg
3.00m	2,500kg



LEEA - Counterbalance lifting beam

