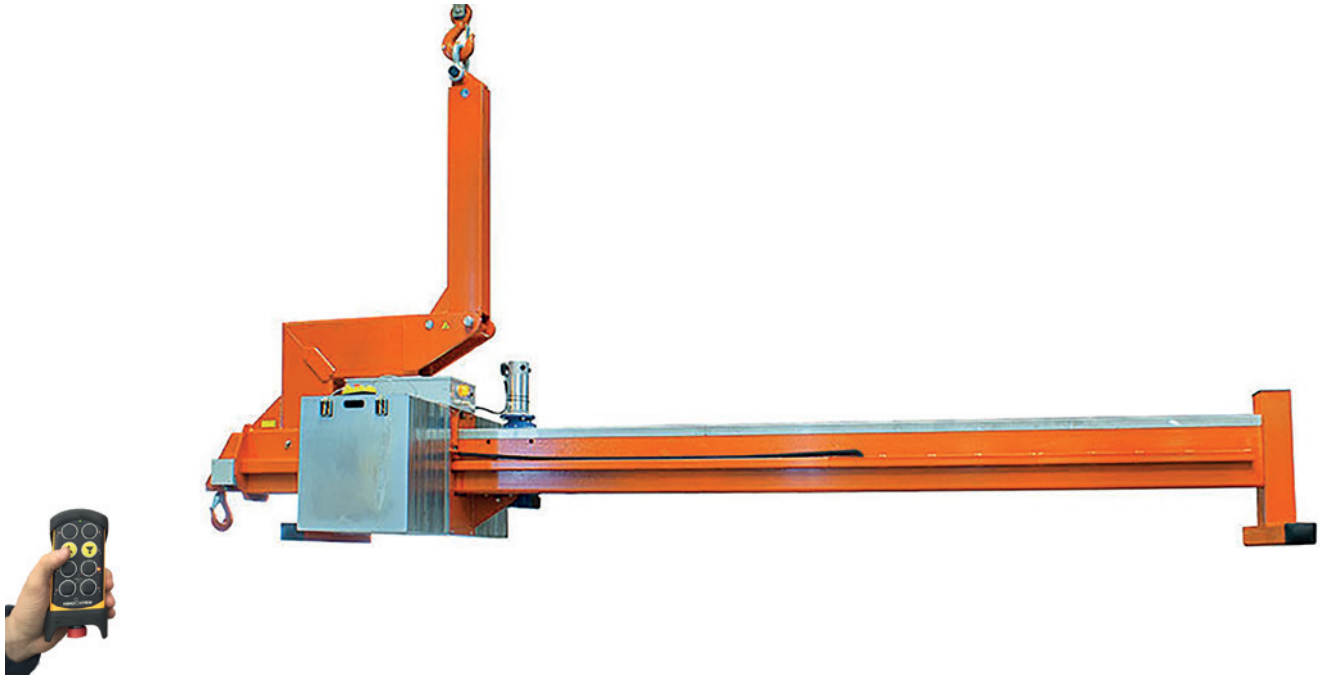




# OKTOPUS CBL6300

## Counterbalance Lifting Beam

[www.hird.co.uk](http://www.hird.co.uk)



Remote control

# 6,300kg

### Technical specification

Overhang adjustable Minimum **1,500mm** Maximum **3,000mm**

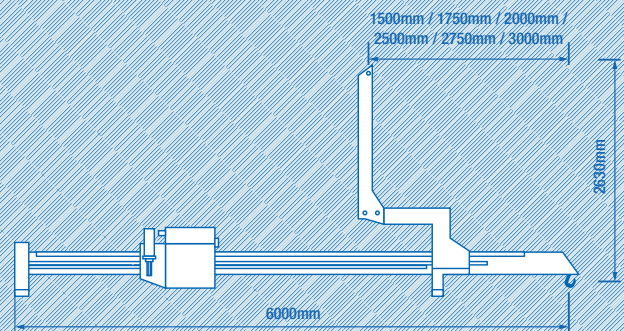
Weight approx. **1,050kg** **3,050kg**  
without counterweight with 40 counterweights

Inclination Maximum  $\pm 10^\circ$

Counterweights **40 removable pieces**  
1 counterweight = 50 kg

Power source **24v battery - 110v / 240v charger**

Operation **Cable remote control,**  
**radio remote control optional**



### Safe Working Loads

Overhang	Working Load Limit
1.50m	6,300kg
1.75m	5,050kg
2.00m	4,150kg
2.25m	3,400kg
2.50m	2,850kg
2.75m	2,350kg
3.00m	1,950kg



LEEA - Counterbalance lifting beam



**Northern**  
**01482 227333**

**Central**  
**01302 341659**

**Western**  
**01384 900388**

**Southern**  
**0203 174 0658**