

OKTOPUS CBVL1000

Counterbalance Lifting Beam

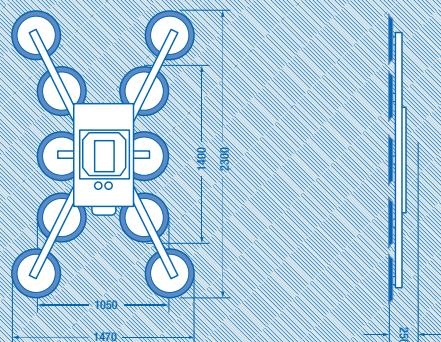
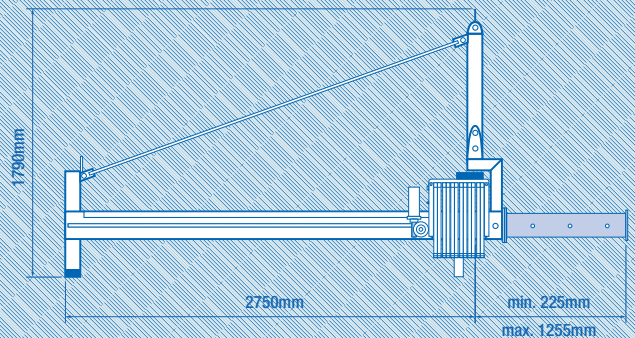


Remote control

1,000kg

Technical specification

Overhang adjustable	Minimum	255mm	Maximum	1,255mm
Weight	approx.	190 kg	790 kg	
		without counterweight	with 24 counterweights	
Inclination	Maximum	$\pm 10^\circ$		
Counterweights	24 removable pieces 1 counterweight = 25 kg			
Power source	24v battery - 110v / 240v charger			
Operation	Cable remote control, radio remote control optional			



LEEA - Counterbalance lifting beam

