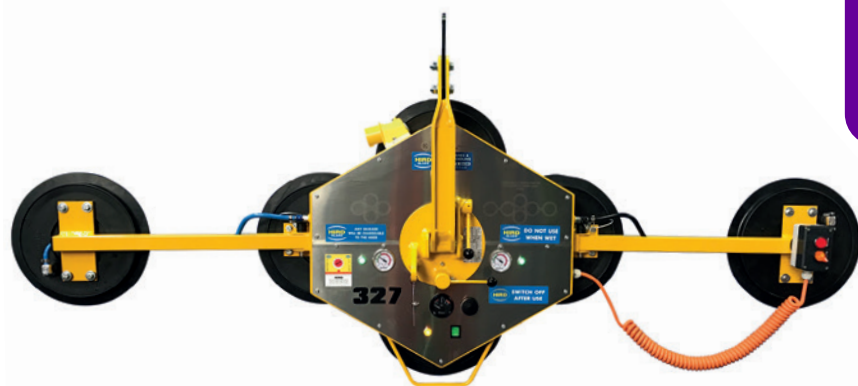


DSKZL2

Dual Circuit Vacuum Lifter

A superb compact vacuum lifter offering a short-lift arm, short-eye hook & cabled remote control all as standard. The DSKZL2 also comes with two extension arms increasing capacity to 450kg.

- Short Lift Arm as standard
- Short-Eye Hook as standard, ideally for glazing underneath overhangs / soffits
- Two-Button vacuum release for added safety.
- Extension Arms increase capacity to 450kg
- Transport trolley for easy manoeuvrability



DSKZL2 without extension arms



Short-eye hook as standard



Wired remote control

450kg



360° rotation

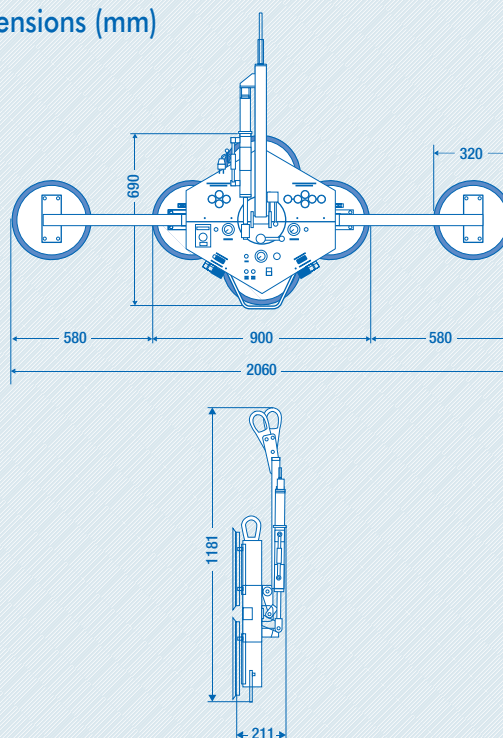


90° tilt

Technical Specification

Max. lifting capacity	450kg	300kg
Weight of lifter	55kg	45kg
Number of suction cups	6	4
Suction cup dimension	320mm Ø	
Structural depth	211mm	
Power source incl. charger	Battery (110v on-board charger)	

Dimensions (mm)



RTITB - accredited vacuum course



Product specifications are subject to change without notice or obligation.
The photographs and/or drawings in this document are for illustrative purposes only.