

NEW SERIES

GOLDLIFT 14.70 III S

Hinowa®

TRACKED AERIAL
PLATFORM
14 m height



**RADIO
CONTROLLED**

DISTINCTIVE FEATURES

- 7 m working outreach
- 120-200 kg cage capacity with automatic weight selection
- Stabilization footprint: just 3 x 3 metres

GB

www.hinowa.com

NEW SERIES



One of the new standard features **is the possibility to control the machine remotely through a radio-control.**

On this control the following functions can be selected: engine selection, self-stabilization, self-destabilization and interactive display.



ADVANTAGES/INNOVATIONS

- The GL14.70 IIS arm configuration is the same as in the traditional version, which allows an excellent up and over height
- The aerial part hydraulic controls ensure ease of use, synchronicity and proportionality of the movements.
- Two articulated arms on which are added a telescopic arm and the jib arm
- The turret rotation of the new IIS series increases from 300° to 360°
- The aerial part controls are hydraulic, while the outrigger movements, including the **automatic self-stabiliza-**

tion and self-destabilization, called IIS (innovation) are included in a radio control, which can also be used as a wired remote control (standard)

- The IGX Honda engine with automatic revolution control reduces consumption and noise. It only accelerates when a movement is carried out through the levers
- The new Goldlift 14.70 IIS is equipped with a **localisation and satellite diagnostics system through R.A.H.M.** Thanks to the satellite system the machine can be localised wherever it is located in that moment and gives useful information for the remote defect detection.



DISCS Ø 300



CONNECTIONS TO THE BASKET

The 230 V socket and the compressed air line to the basket are standard accessories.

GOLDLIFT 14.70 TTS

The **hydraulic widening system of the undercarriage is an advantage** for the lateral stability.



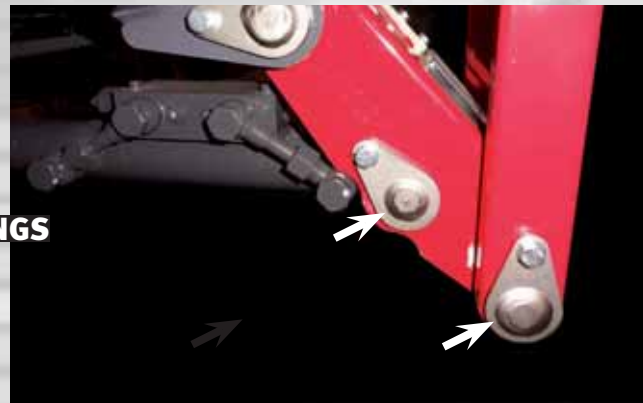
RADIO-CONTROL

Only press a button to stabilize the machine and another to destabilize it – everything is completely automatic. Thanks to this innovation, this machine may be used by operators who are using this type of machine for the first time.



NEW PINS AND BUSHINGS

All the machines are equipped with **new pins combined with lubrication-free fibreglass bushings**, reducing the maintenance time.



IRON-RUBBER PIPES

The pipes of the hydraulic system are divided into **mixed sections of iron and rubber** to make easier maintenance.



HONDA ENGINE



ENGINE

Petrol Honda IGX440 with automatic revolution control, which ensures moderate consumptions, combined with standard 230 V electric motor.

Alternatively the version with **AC 48V electric motor powered by lithium-ion batteries** is available. The latter one is very appreciated for works in schools, hospitals, thermal power plants.

NEW: the machine is available equipped with diesel engine with automatic revolution control.

LITHIUM-ION MOTOR



DIESEL ENGINE

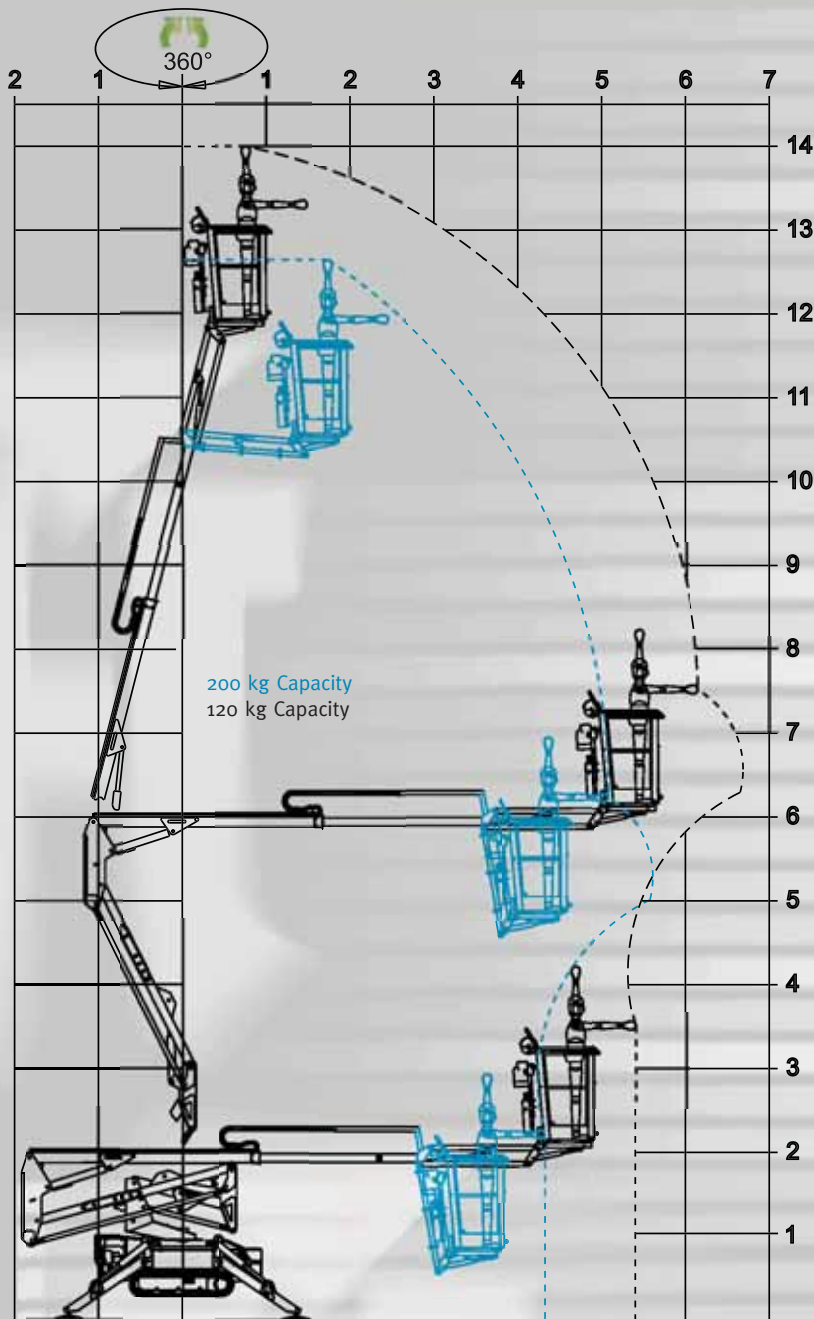


LOAD CELL

Extensometric load cell with **dual channel safety** for a perfect control of the weight in cage.



GOLDLIFT 14.70 III S

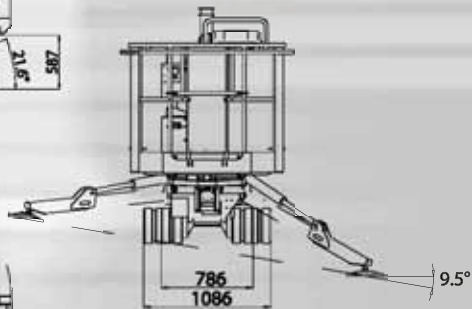
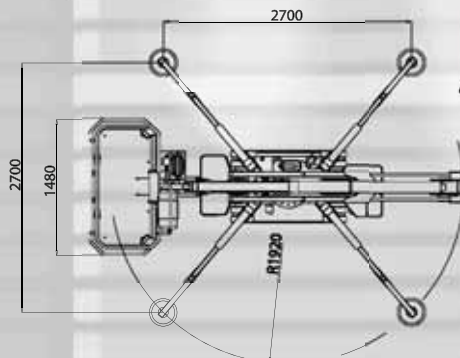
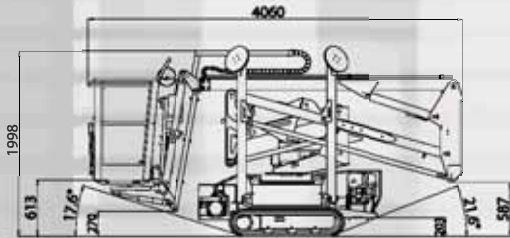


200 kg Capacity
120 kg Capacity

SIMONCELLI PP > DGI023 20711

	CAPACITY 200 kg	CAPACITY 120 kg
MAX WORKING HEIGHT	12,68 m	14 m
MAX HORIZONTAL WORKING OUTREACH	5,66 m	7 m
TRANSPORT LENGTH	4,06 m	
TRANSPORT HEIGHT	1,998 m	
STANDARD CAGE DIMENSIONS	1335x690xh.1100 mm	
MAX SLOPE ALLOWED IN TRAVEL MODE	17,5° / 31,5%	
TOTAL WEIGHT	1700 kg / 3747,85 lb	
THERMIC ENGINE AVAILABLE	Honda iGX440-15CV 3600rpm	HATZ 1B40-10CV 3600rpm
ELECTRIC MOTOR	2,2kw-230V-50Hz 1500rpm	2,2kw-110V-50Hz 1500rpm
MAX TRAVEL SPEED	I - 1,4 km/h II - 1,4-2,8 km/h OPTIONAL	
CLOSED MACHINE WIDTH	780/1080 mm	
GROUND PRESSURE IN TRAVEL MODE	1670 daN - 0,5 daN/cm ²	
GROUND PRESSURE IN WORKING MODE	1330 daN - 1,9 daN/cm ²	

LITHIUM ELECTRIC MOTOR WITH LITHIUM BATTERIES
OPTIONAL 90Ah / 48V



HINOWA is continually researching and developing products and reserves the right to make modifications without prior notice. All data in this document is indicative. Certain options or country standards will increase weight. Specifications may change to meet country standards or with the addition of optional equipment.



Hinowa®

HINOWA SPA
Via Fontana • 37054 NOGARA • Verona • Italy
Tel. +39 0442 539100 • Fax +39 0442 539075
info@hinowa.com
www.hinowa.com