

## Winlet 785

### Dual Circuit Window & Glass Installation Robot

**Range:** Glass Vacuum Equipment / Glazing Robots / Winlet

Our range of glass handling equipment is available to customers across the UK, from our own strategically placed depots enabling us to offer a national coverage.



## Winlet 785

Winlet 785 Glazing Robot provides a revolutionary and highly productive new working method of installing windows. Glazing or glass panels weighing up to 785kg can be lifted, transported and installed in a safe and straightforward manner. Glazing robots dramatically improve productivity, improve health and safety and reduce the frequency of damage to both materials and operatives.



Vacuum Robots course



Intelligent load monitoring protects the operator and the load.



Multifunction control panel with integrated buttons and signal lights.



UK and Ireland  
Distributor

**785kg** max lifting capacity

### Technical Specifications Winlet 785

Max capacity	785kg
Max capacity on side	275kg
Total weight excl. counterweights	1075kg
Total weight incl. counterweights	1350kg
External width	890mm
External width with twin wheels	1200mm
External length	1880mm
External height	1795mm
Min/max extension (front bumper to suction cup)	2500/3900mm
Max lifting height (to centre of lifting yoke)	3900mm
Hydraulic side offset	75mm
Fine lift on arm	200mm
Tilt function	180°
Rotation	180°
Suction cups	4 x Ø 410mm
Battery	2 x 150 AH



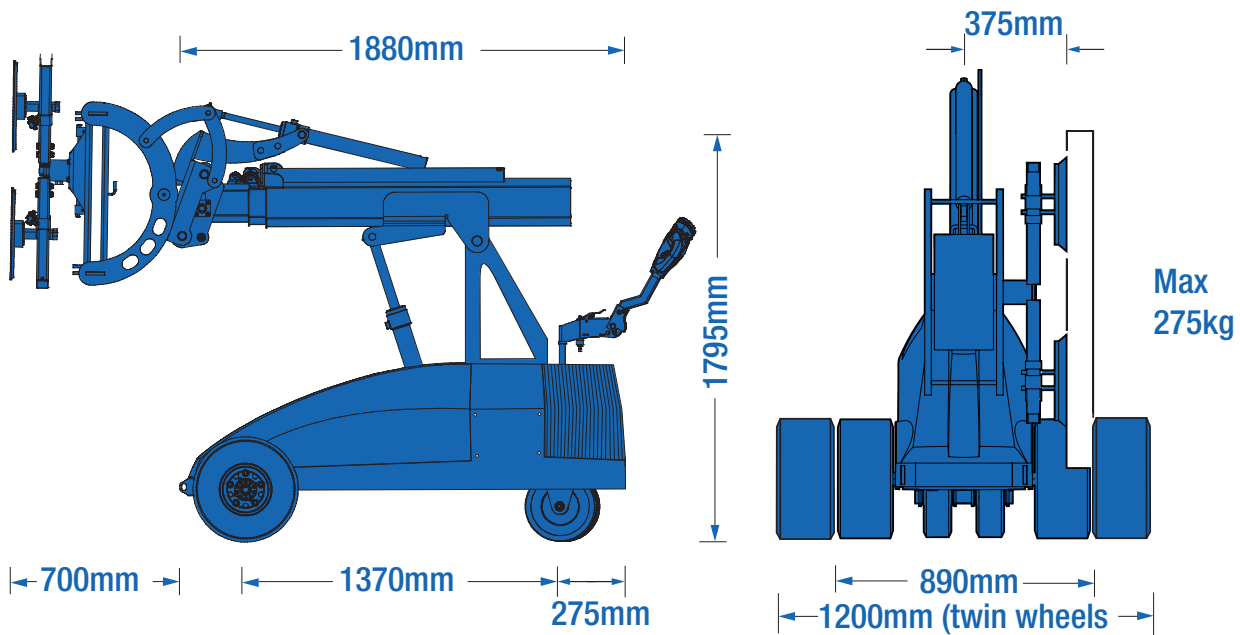
4 x Ø 385mm or 8 x Ø 350mm suction cups for lifting materials such as.

- Granite
- Concrete
- Woodern Plates
- Plasterboard
- Steel Plates
- Tiles
- Fire Doors

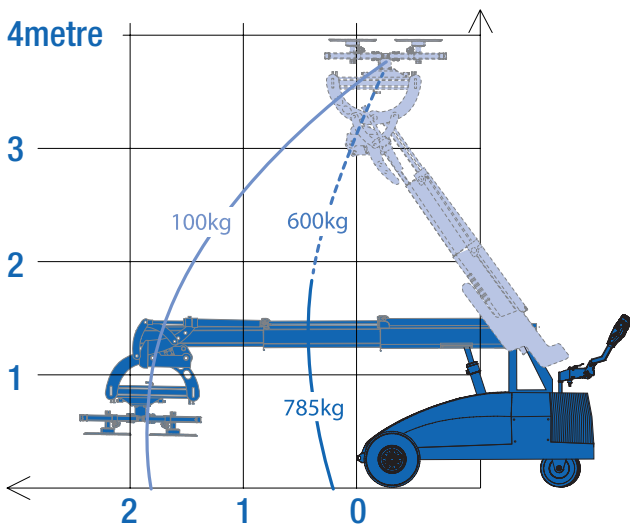
Product specifications are subject to change without notice or obligation. The photographs and/or drawings in this document are for illustrative purposes only.

# Winlet 785 Glazing Robot

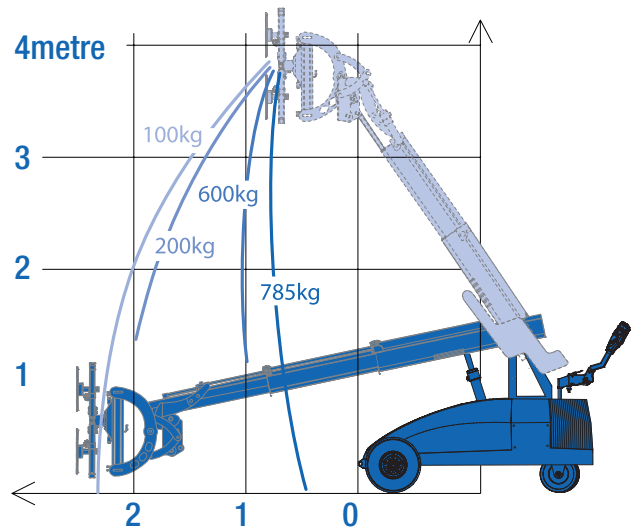
## Dimensions



## Pick and Place



## Reach



Product specifications are subject to change without notice or obligation. The photographs and/or drawings in this document are for illustrative purposes only.



Northern 01482 227333 Central 01302 341659 Southern 0203 174 0658

[www.hird.co.uk](http://www.hird.co.uk)

### Northern (Head Office)

English Street  
Hull HU3 2BS

Tel: +44 (0)1482 227333

Fax: +44 (0)1482 587710

Email: [info@peter-hird.co.uk](mailto:info@peter-hird.co.uk)

### Central

Shaw Lane Industrial Estate  
Ogden Road, Doncaster DN2 4SQ

Tel: +44 (0)1302 341659

Fax: +44 (0)1302 341675

Email: [doncaster@hird.co.uk](mailto:doncaster@hird.co.uk)

### Southern

Unit 8, Redhill 23 Business Park Holmethorpe Avenue  
Redhill RH1 2NB

Tel: +44 (0)203 174 0658

Fax: +44 (0)1737 773188

Email: [london@peter-hird.co.uk](mailto:london@peter-hird.co.uk)