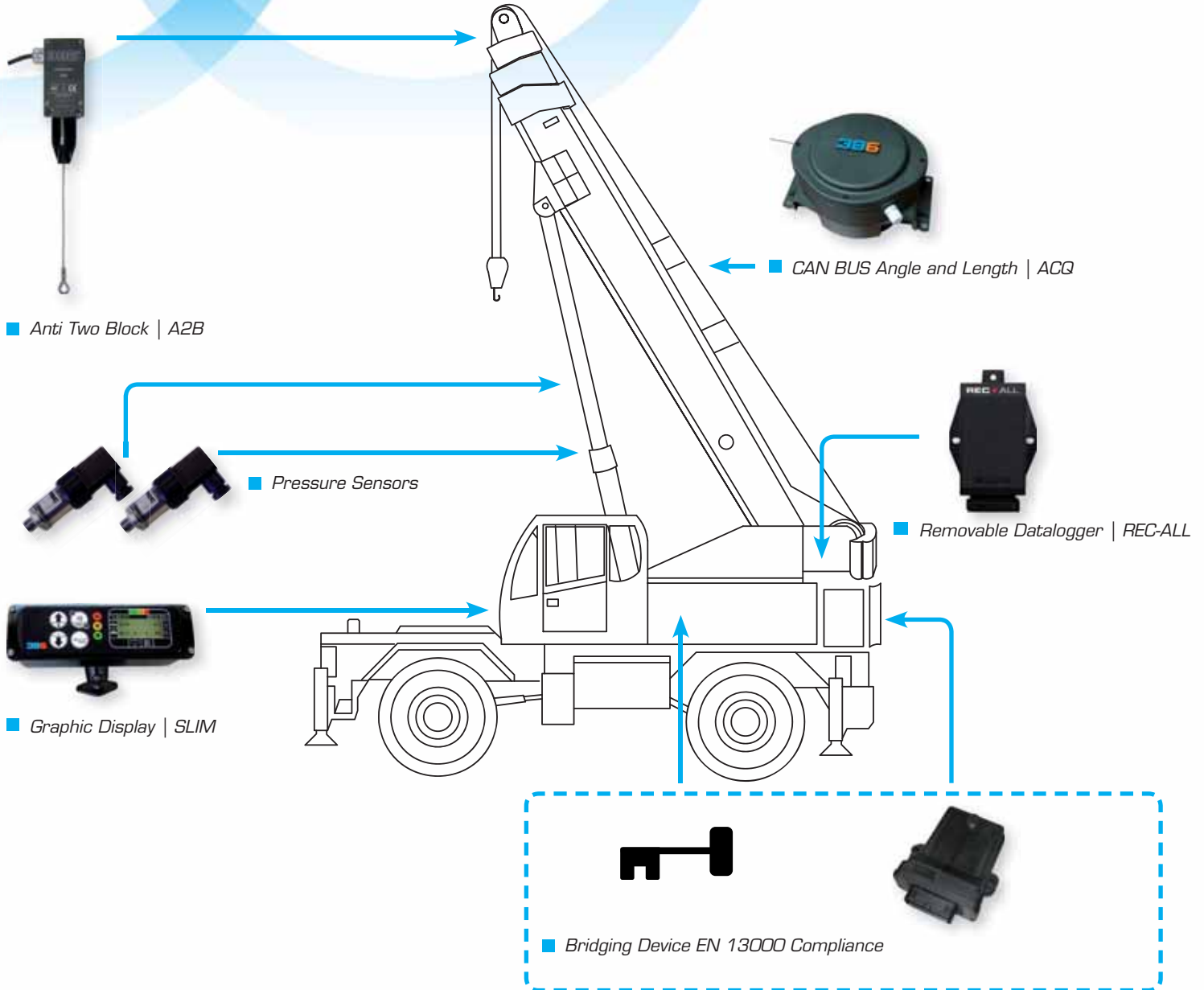




## *Rated Capacity Limiter Systems*



EN 13849-PL C Compliance



**Features**

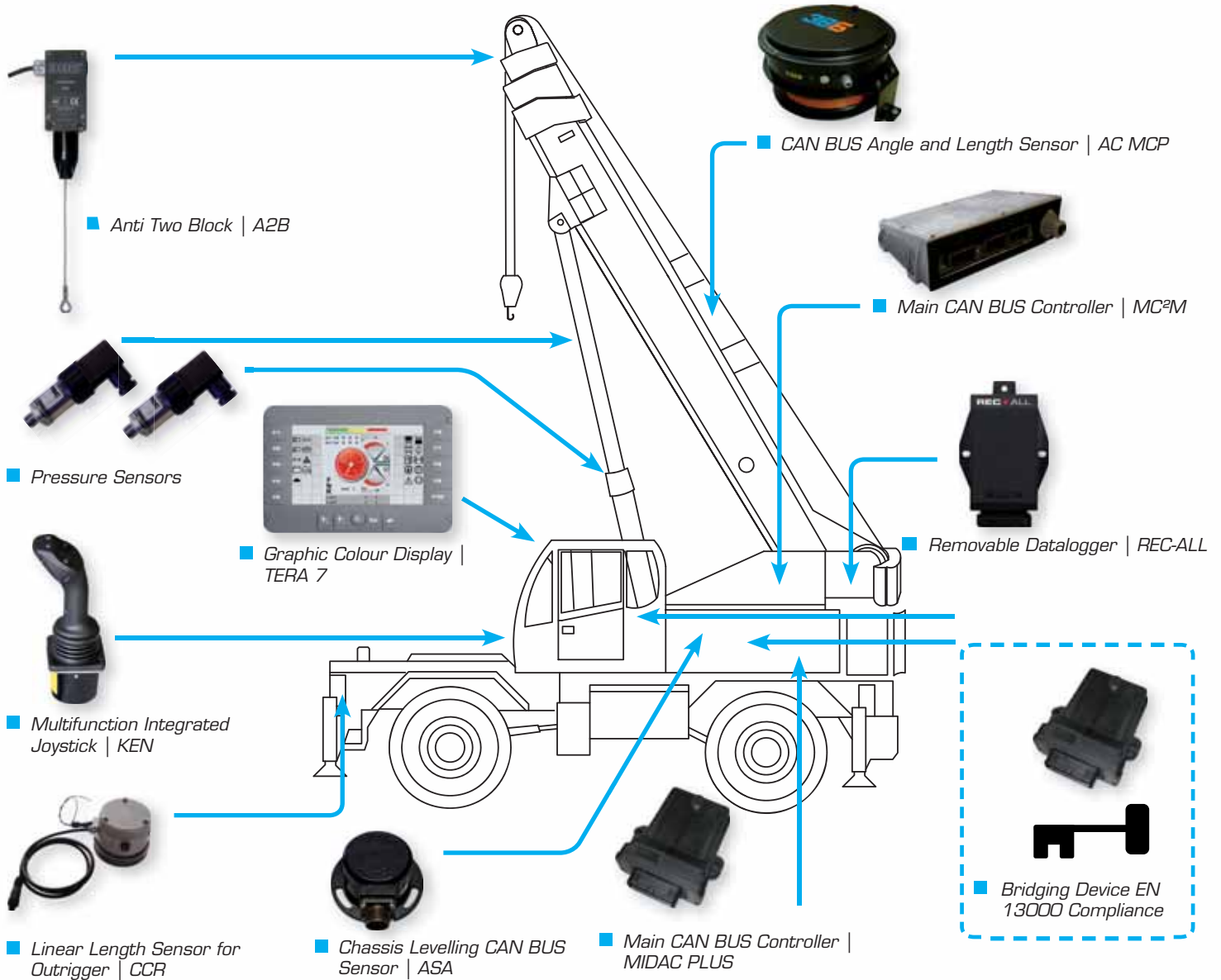
- Rated Capacity Limiter
- RCI Bypass Device

- Optional Display: Multifunction Graphic Display | NANO
- Main CAN BUS Controller | MIDAC PLUS



## Mobile Cranes Electronic Control System

EN 13849-PL C/D Compliance



### Features

- Rated Capacity Limiter
- Movements Speed Modulation
- Boom Section Extension Sequence
- Load Tables Management
- Truck Self-levelling
- Engine and Gear Box Monitoring and Management
- Work Area Limitation
- Alarms Data Logger
- RCI Bypass Device



- Optional Display:  
Colour Graphic Display | VIEW



[info@3b6.co.uk](mailto:info@3b6.co.uk)

[www.3b6.co.uk](http://www.3b6.co.uk)



## Peter Hird & Sons Ltd

### **Northern** (Head Office)

English Street  
Hull HU3 2BT

**Tel: +44 (0)1482 227333**

Fax: +44 (0)1482 587710

Email: [info@hird.co.uk](mailto:info@hird.co.uk)

### **Central**

Unit 2, Milethorn Lane  
Doncaster DN1 2SU

**Tel: +44 (0)1302 341659**

Fax: +44 (0)1302 341675

Email: [doncaster@hird.co.uk](mailto:doncaster@hird.co.uk)

### **Southern**

Unit 8, Redhill 23 Business Park  
Holmethorpe Avenue, Redhill RH1 2NB

**Tel: +44 (0)203 174 0658**

Fax: +44 (0)1737 773188

Email: [london@hird.co.uk](mailto:london@hird.co.uk)