

MRT2 Dual Circuit - Vacuum Lifter

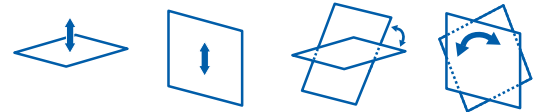
Range: Glass Vacuum Equipment / Vacuum Lifters / Woods Powr-Grip

Our range of glass handling equipment is available to customers across the UK, from our own strategically placed depots enabling us to offer a national coverage.



Dual circuit vacuum lifter for safer manual handling and lifting with powered rotation

- 180° degree powered rotation enables operator to manoeuvre loads safely
- Powerful 135kg lifting capacity
- Single person operation
- Can lift a wide range of materials such as glass, plastic and metals
- Safety alarms and interlocks as standard
- Manufactured by Woods Powr grip



180° rotation

135kg

max loading capacity of frame

Technical Specifications

Dimensions:	HxWxD mm	770mm x 584mm x 244mm
Vacuum system :		dual circuit
Suction cup quality:		black rubber, not abrasion resistant, heat resistant up to 100° C
Number of suction cups:		2
Suction cup dimension:		280mm
Loading capacity of frame: (on smooth and clean surface at 60% vacuum)		135kg
Weight of lifter:		24kg
Structural depth:		254mm
Output:		1.5m ³ /h
Voltage:	pump:	12v DC from rechargeable battery
	battery charger:	110v/240v 50/60Hz single phase factory selectable

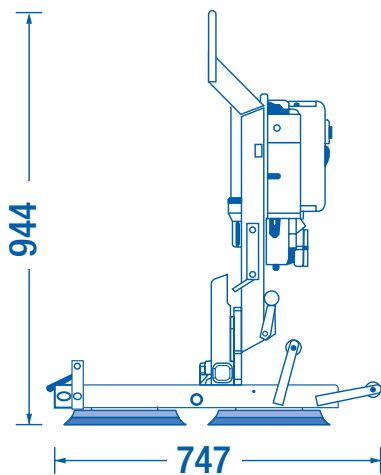
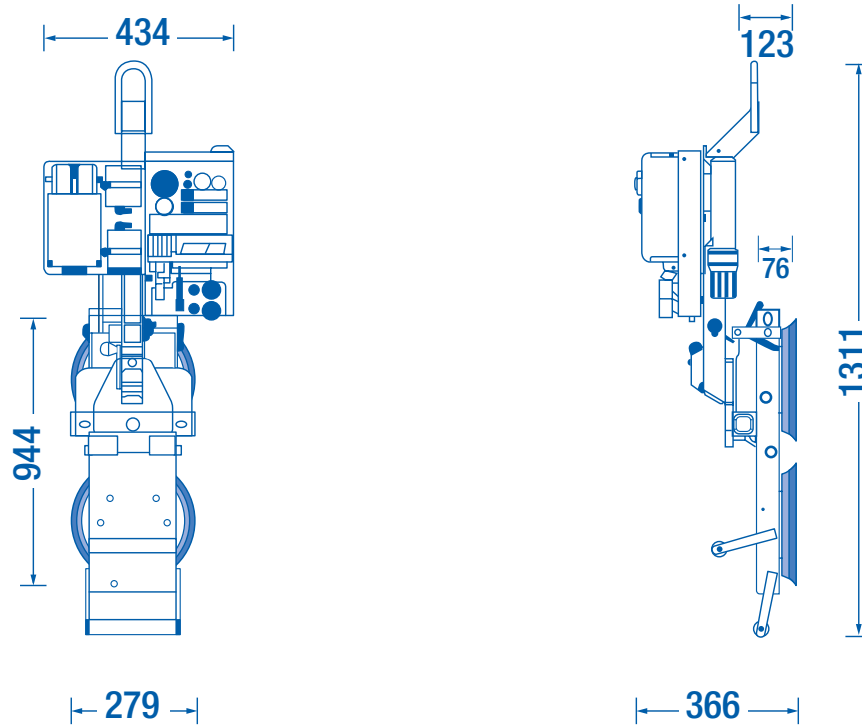


RTITB - accredited glass vacuum course



Product specifications are subject to change without notice or obligation. The photographs and/or drawings in this document are for illustrative purposes only.

MRT2 Dual Circuit - Vacuum Lifter



Product specifications are subject to change without notice or obligation. The photographs and/or drawings in this document are for illustrative purposes only.



Northern 01482 227333 Central 01302 341659 Southern 0203 174 0658

www.hird.co.uk

Northern (Head Office)
English Street
Hull HU3 2BT

Tel: +44 (0)1482 227333
Fax: +44 (0)1482 587710
Email: info@hird.co.uk

Central
Shaw Lane Industrial Estate
Ogden Road, Doncaster DN2 4SQ

Tel: +44 (0)1302 341659
Fax: +44 (0)1302 341675
Email: doncaster@hird.co.uk

Southern
Unit 8, Redhill 23 Business Park Holmethorpe Avenue
Redhill RH1 2NB

Tel: +44 (0)203 174 0658
Fax: +44 (0)1737 773188
Email: london@hird.co.uk